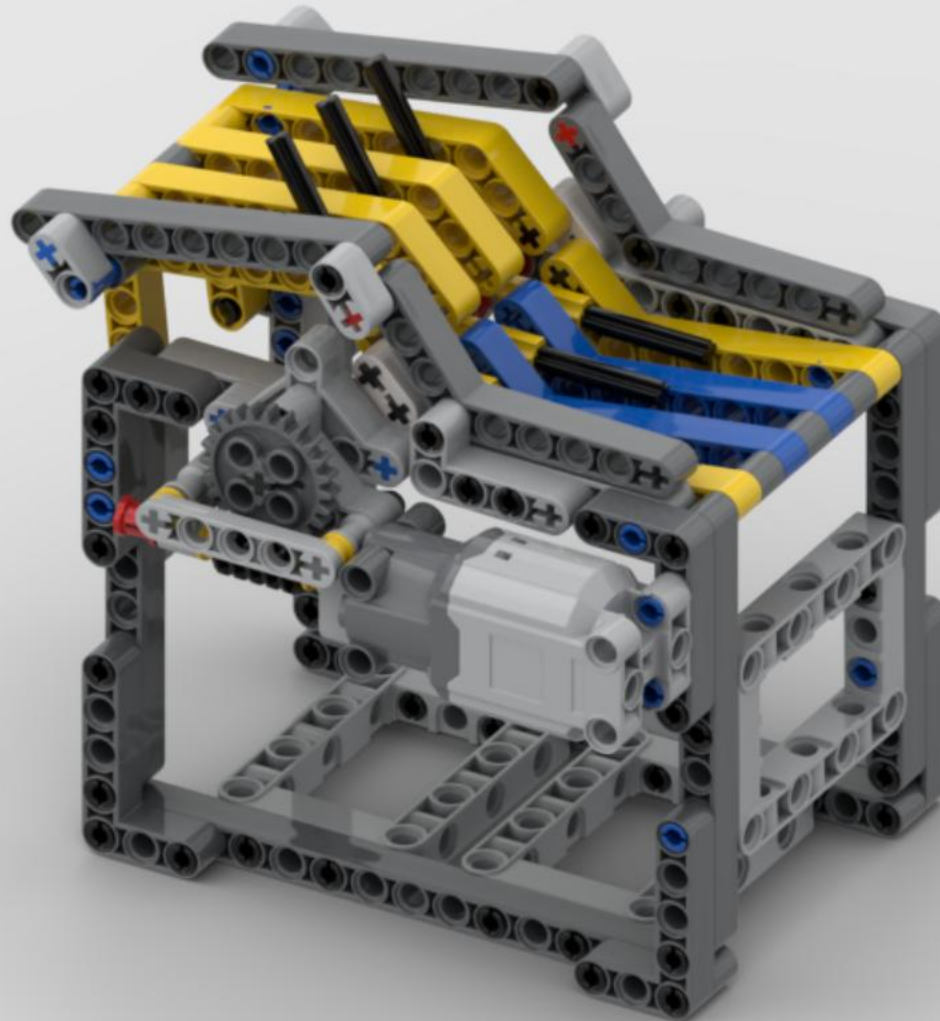




Ware's The Bricks 2024 GBC Workshop Module

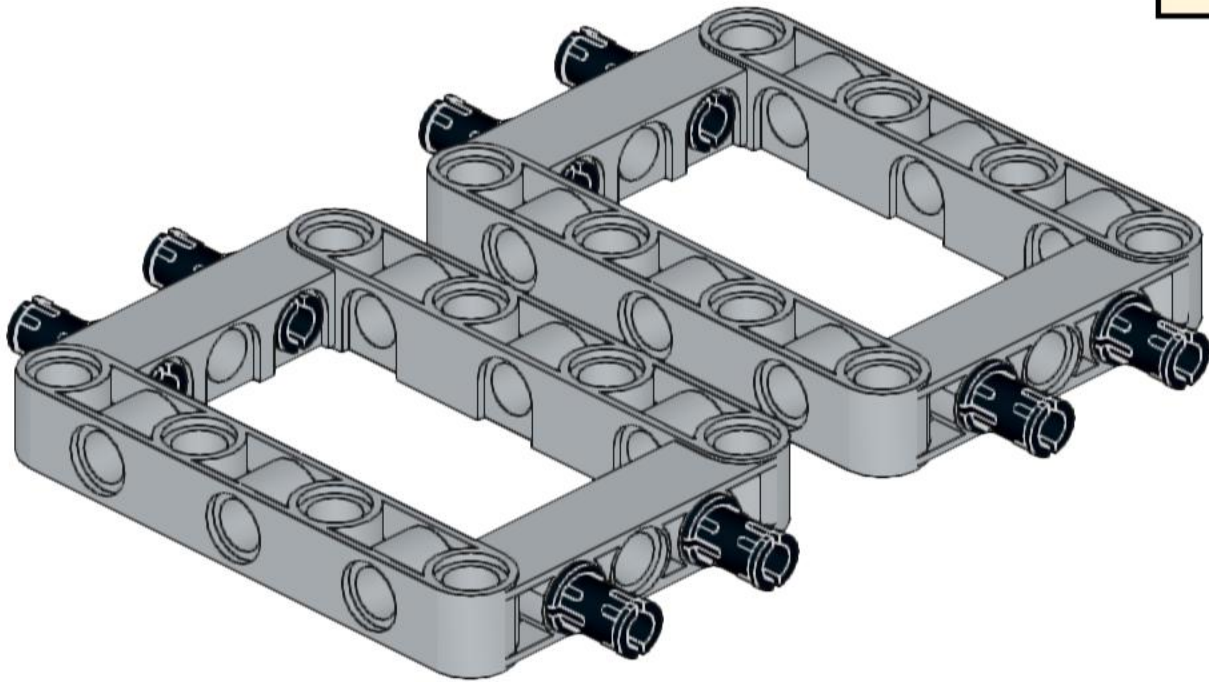
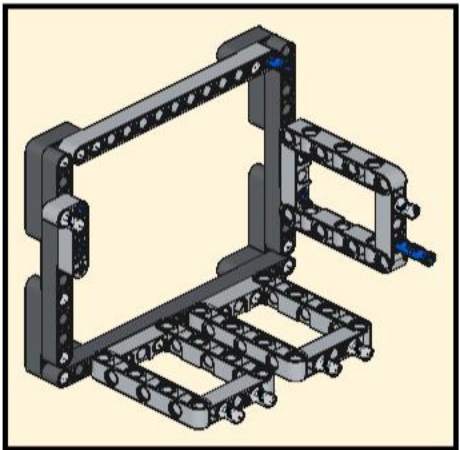
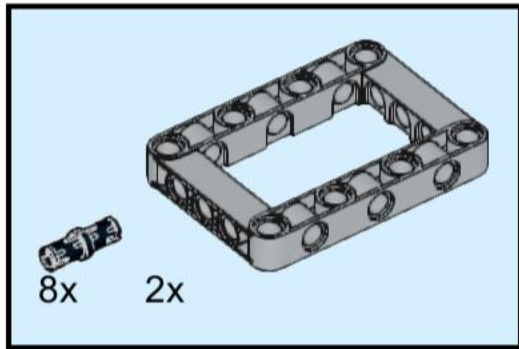
Designed by Duncan Bridges



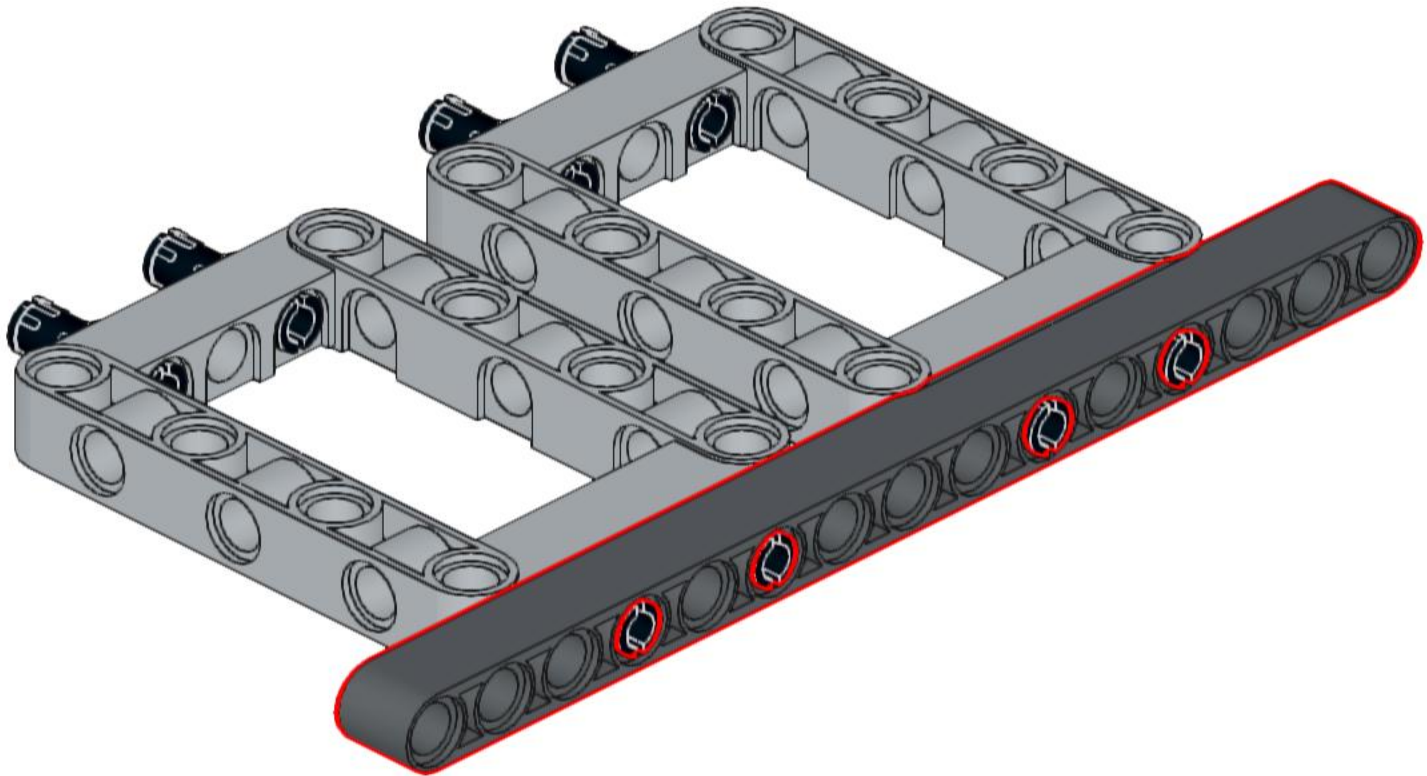
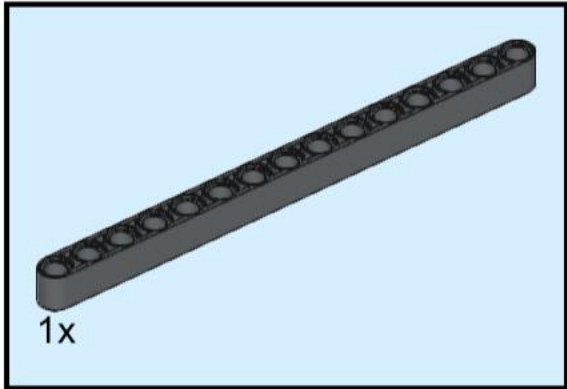
Sponsored by



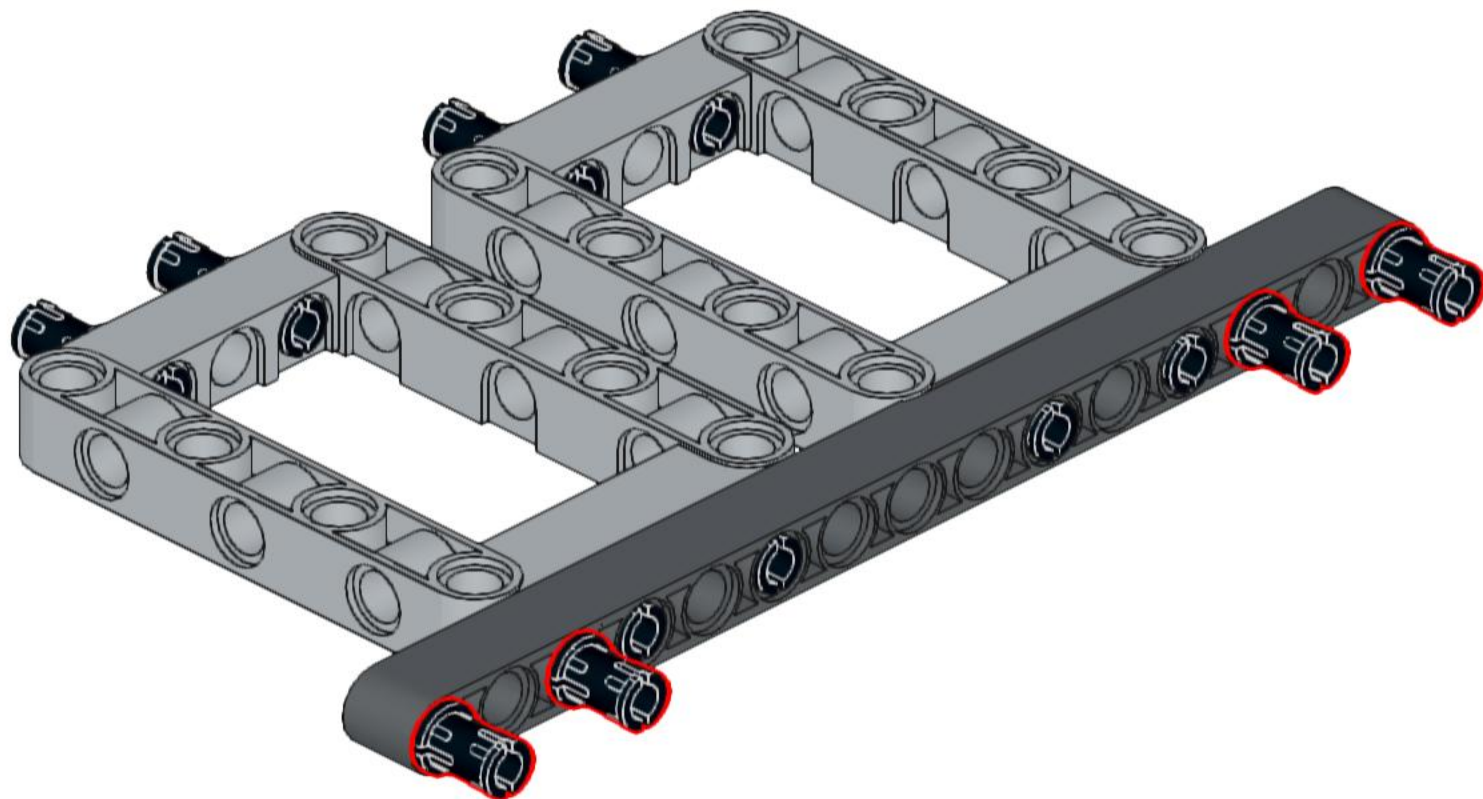
1



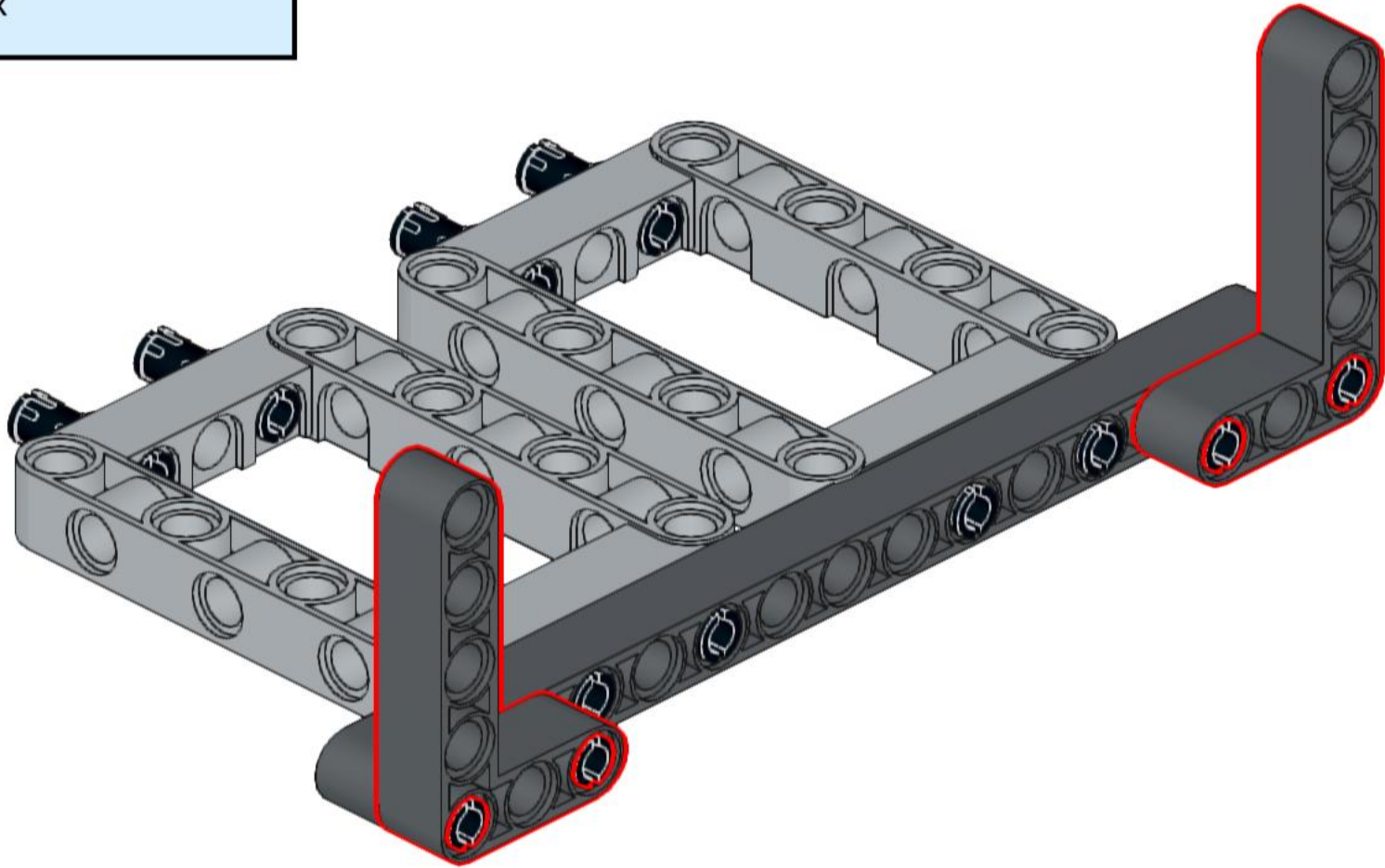
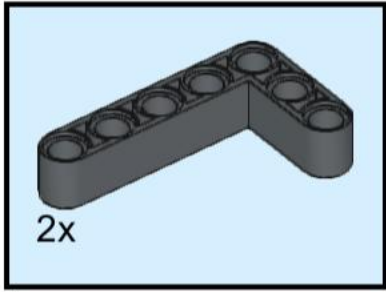
2



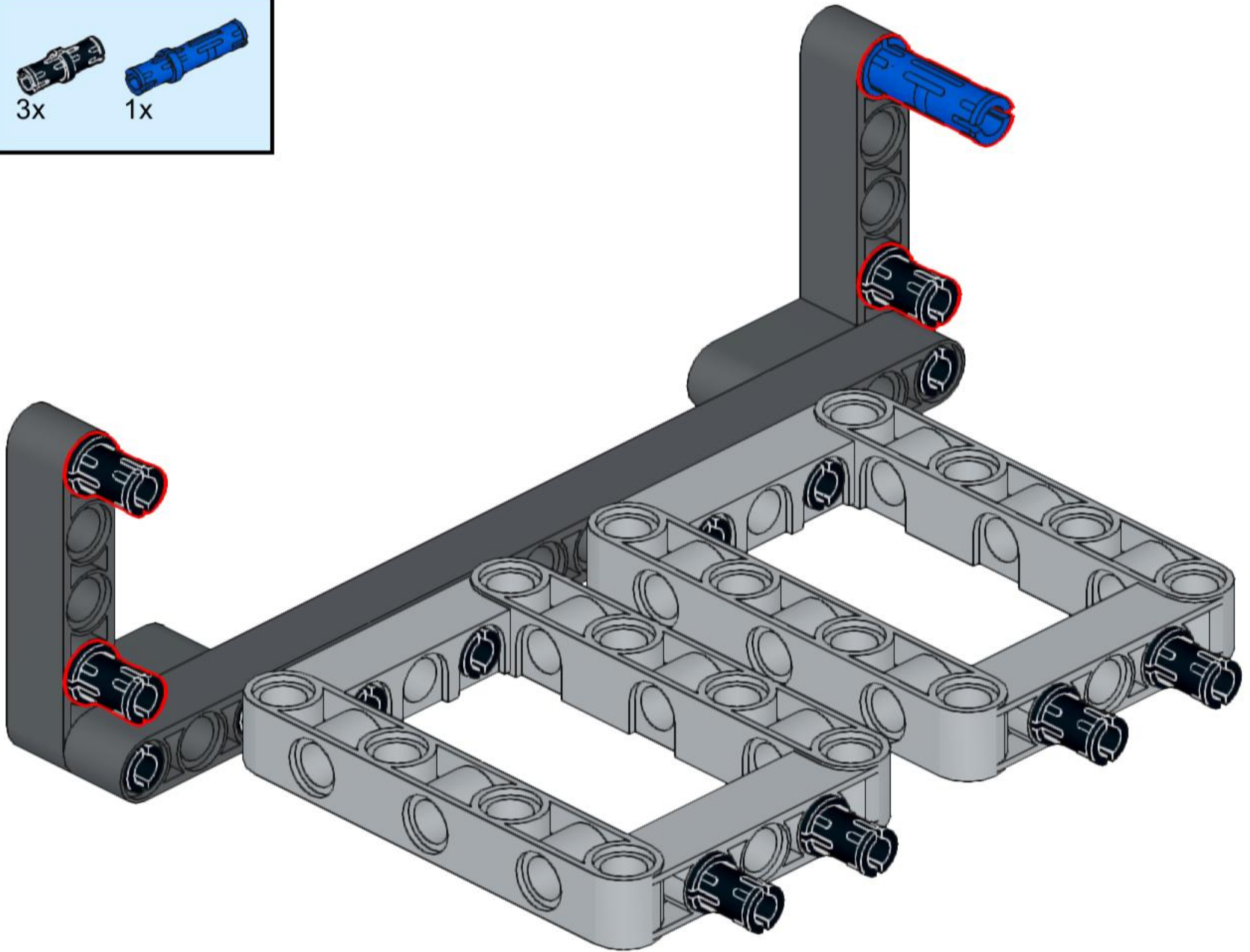
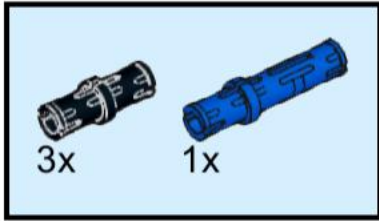
3



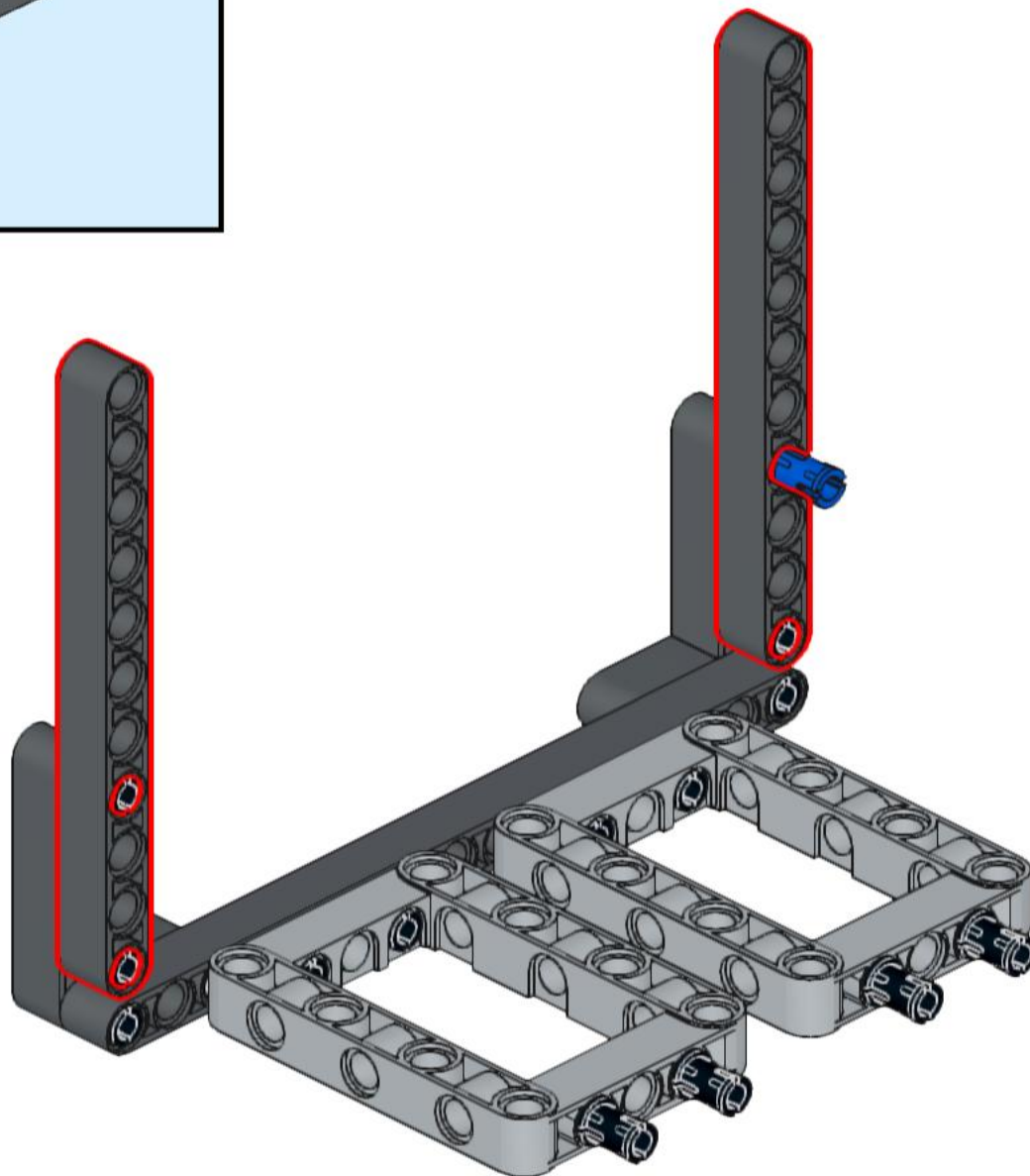
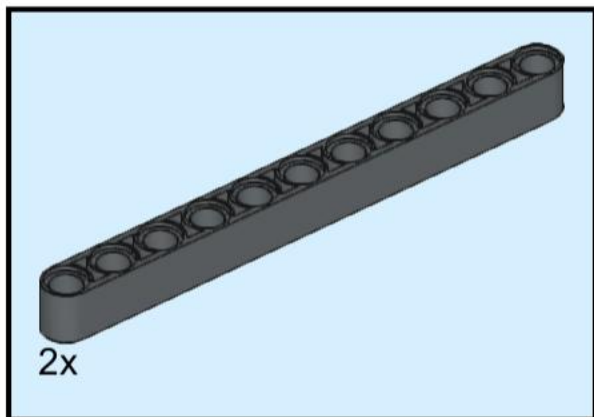
4



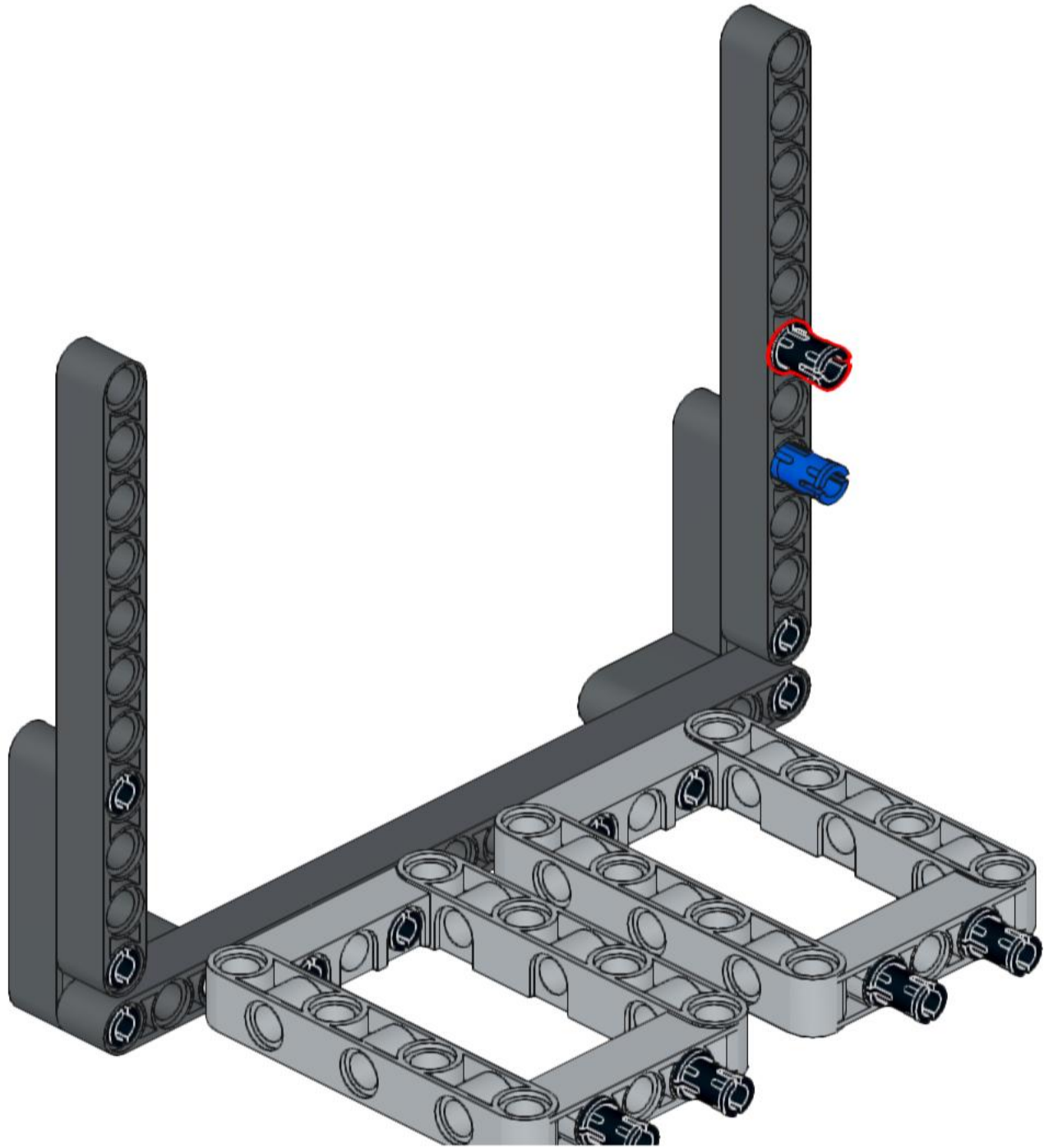
5



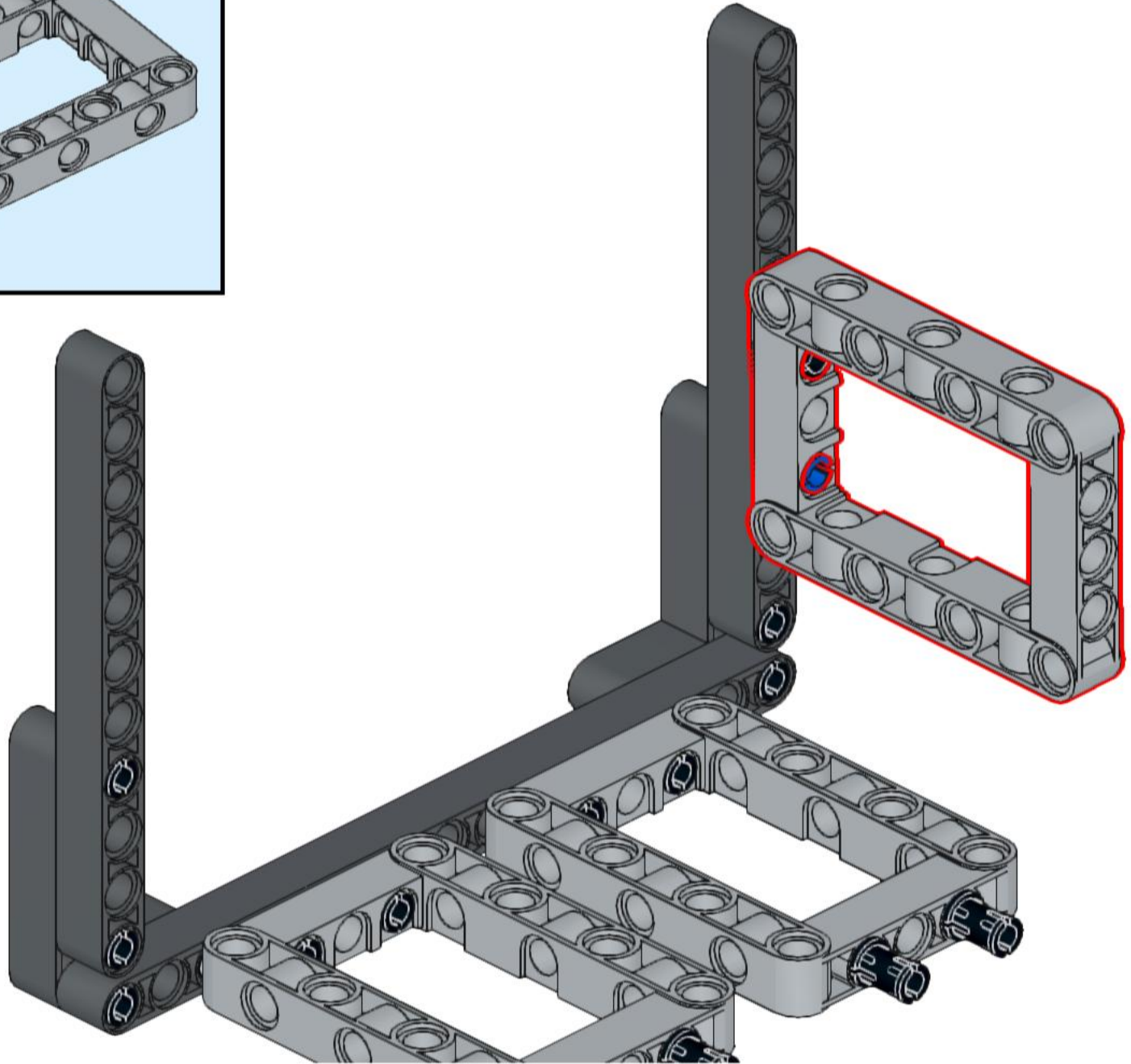
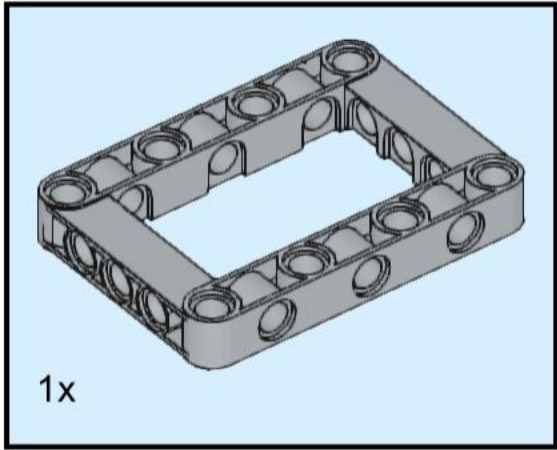
6



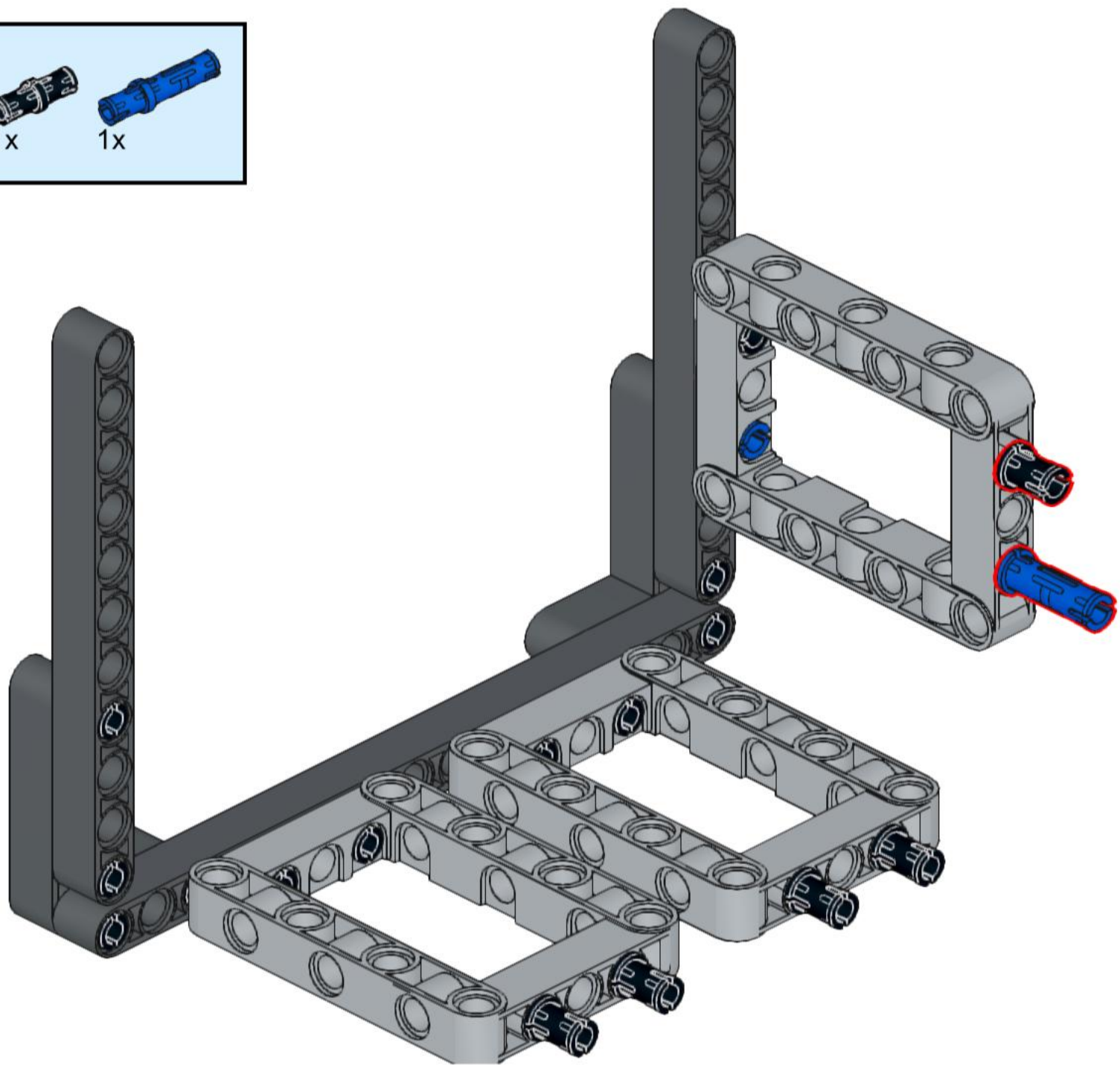
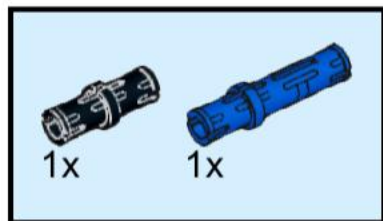
7



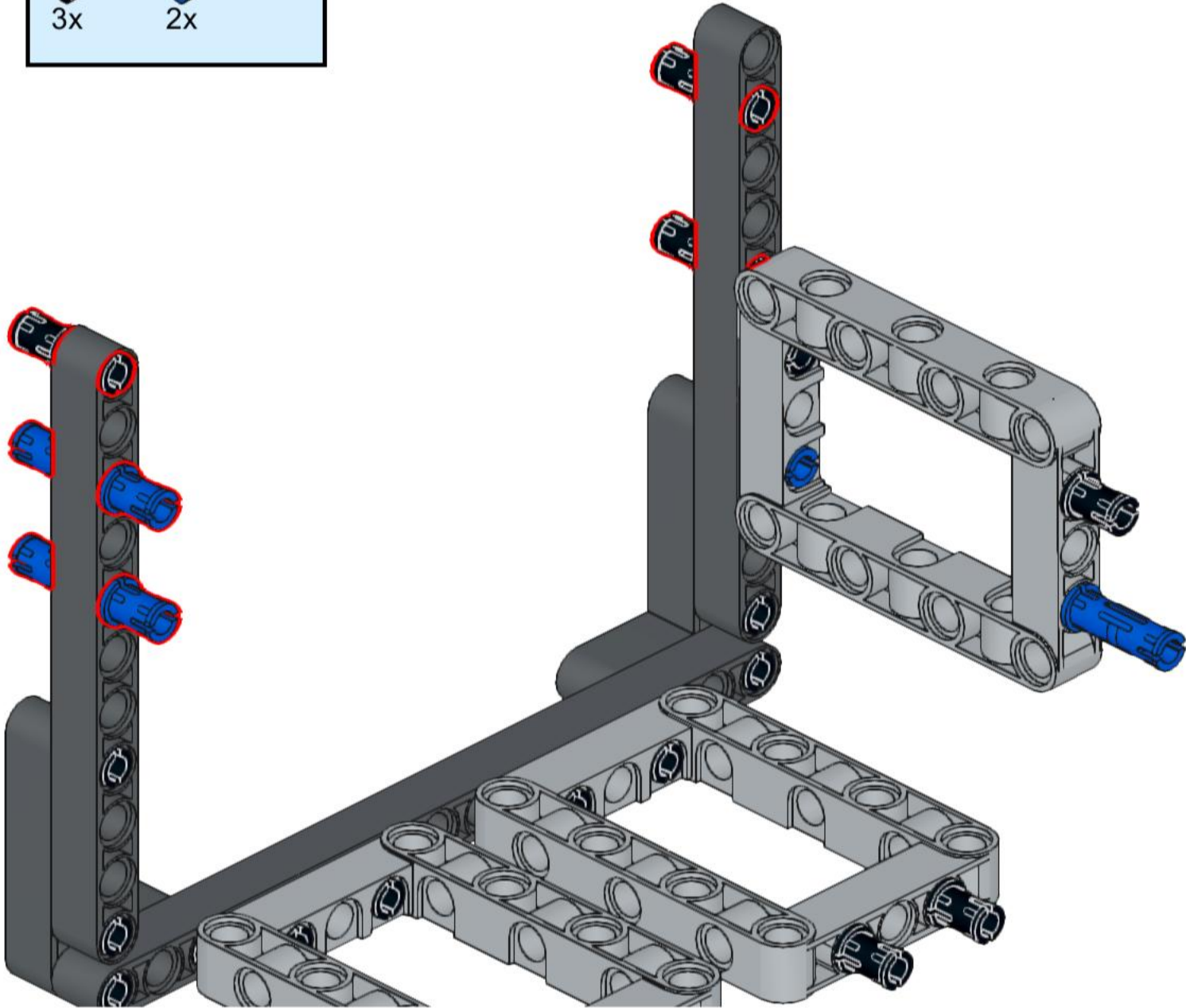
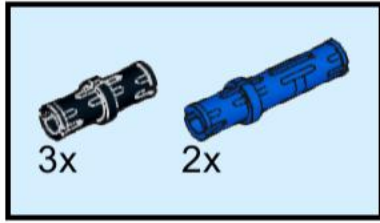
8



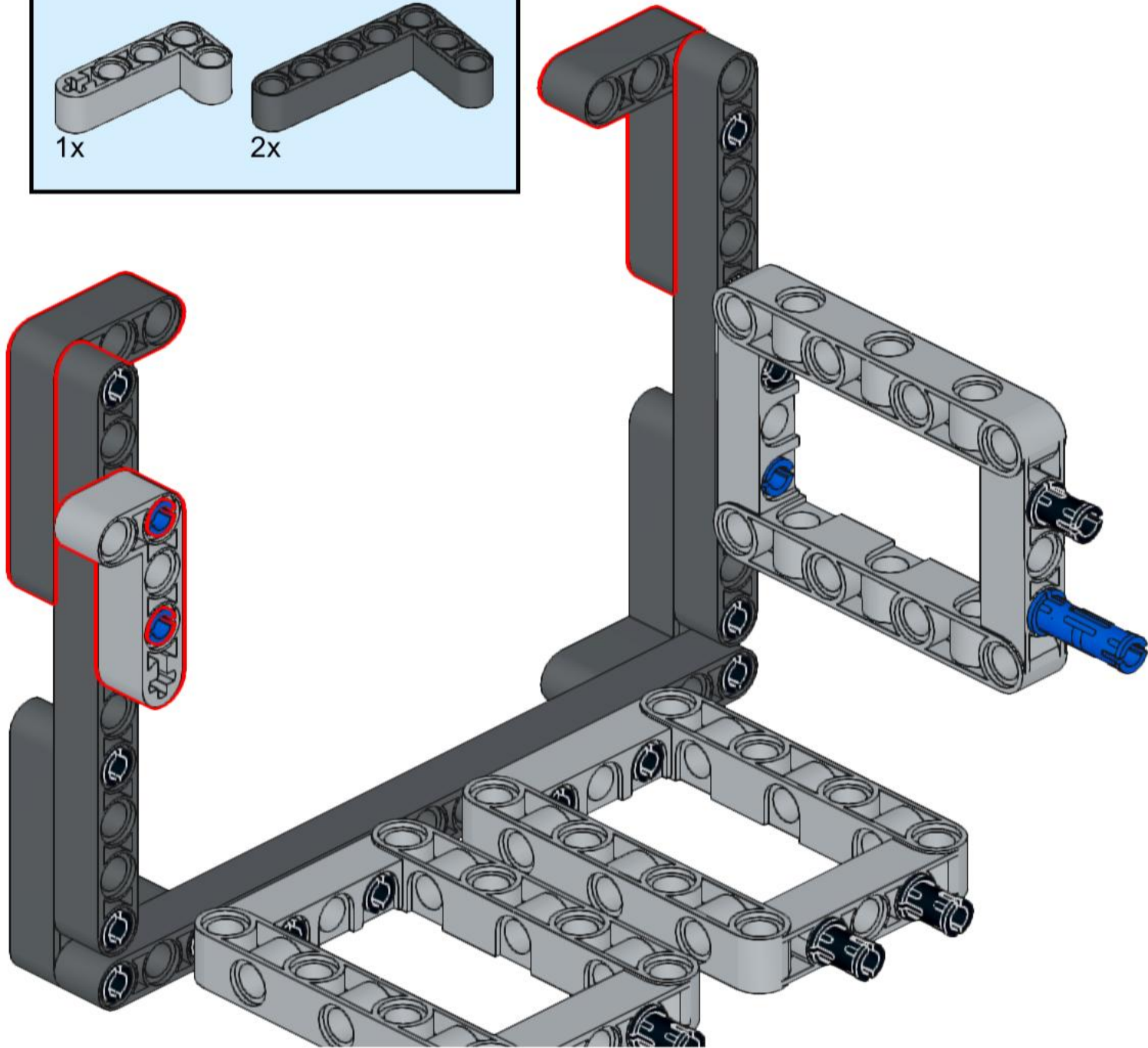
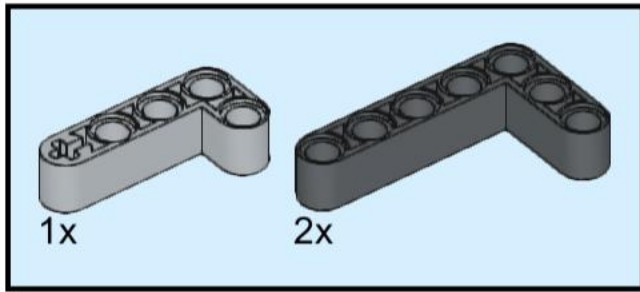
9



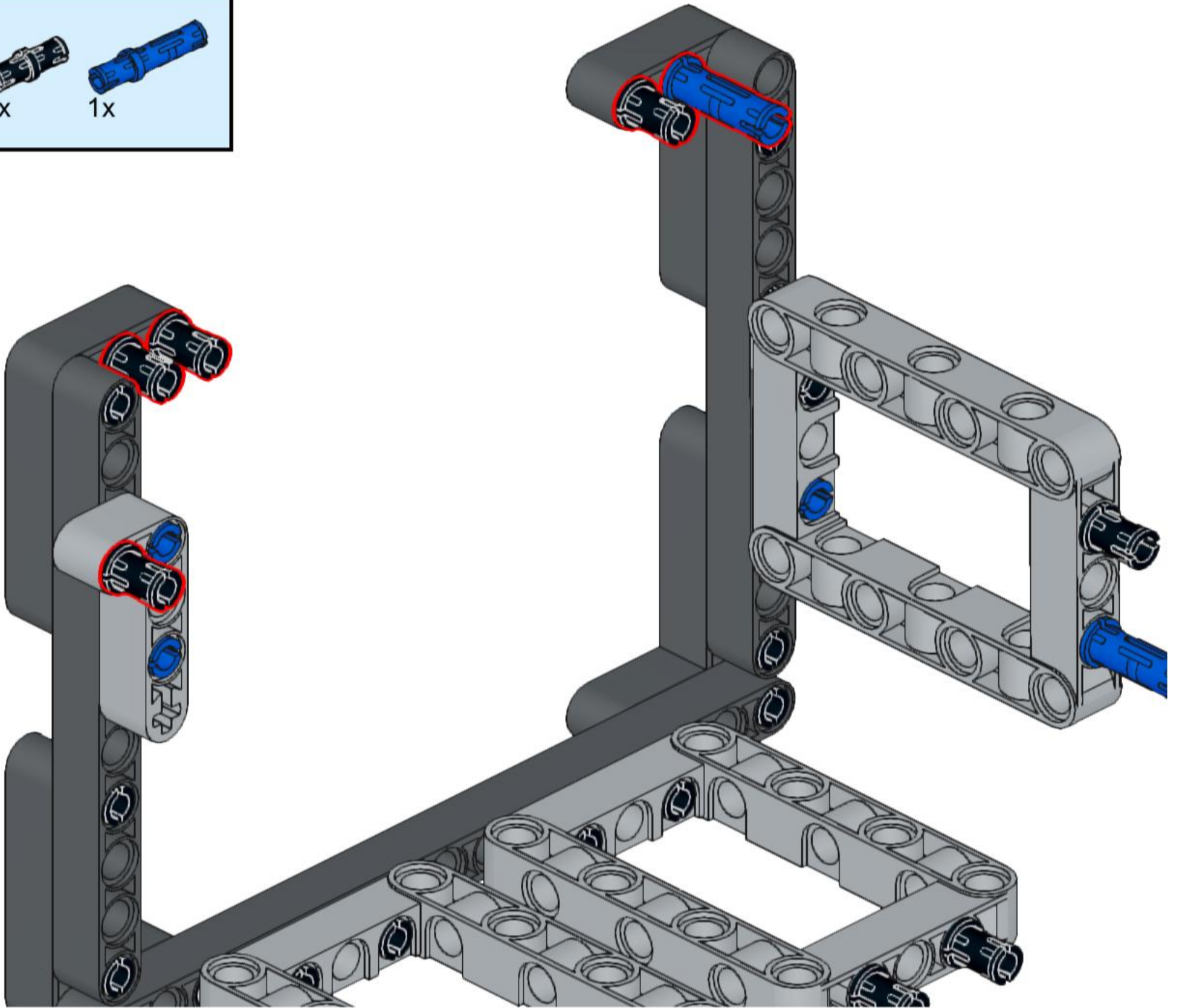
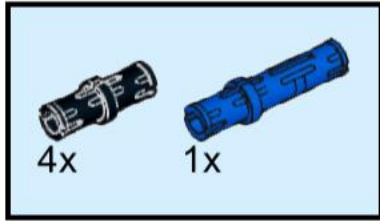
10



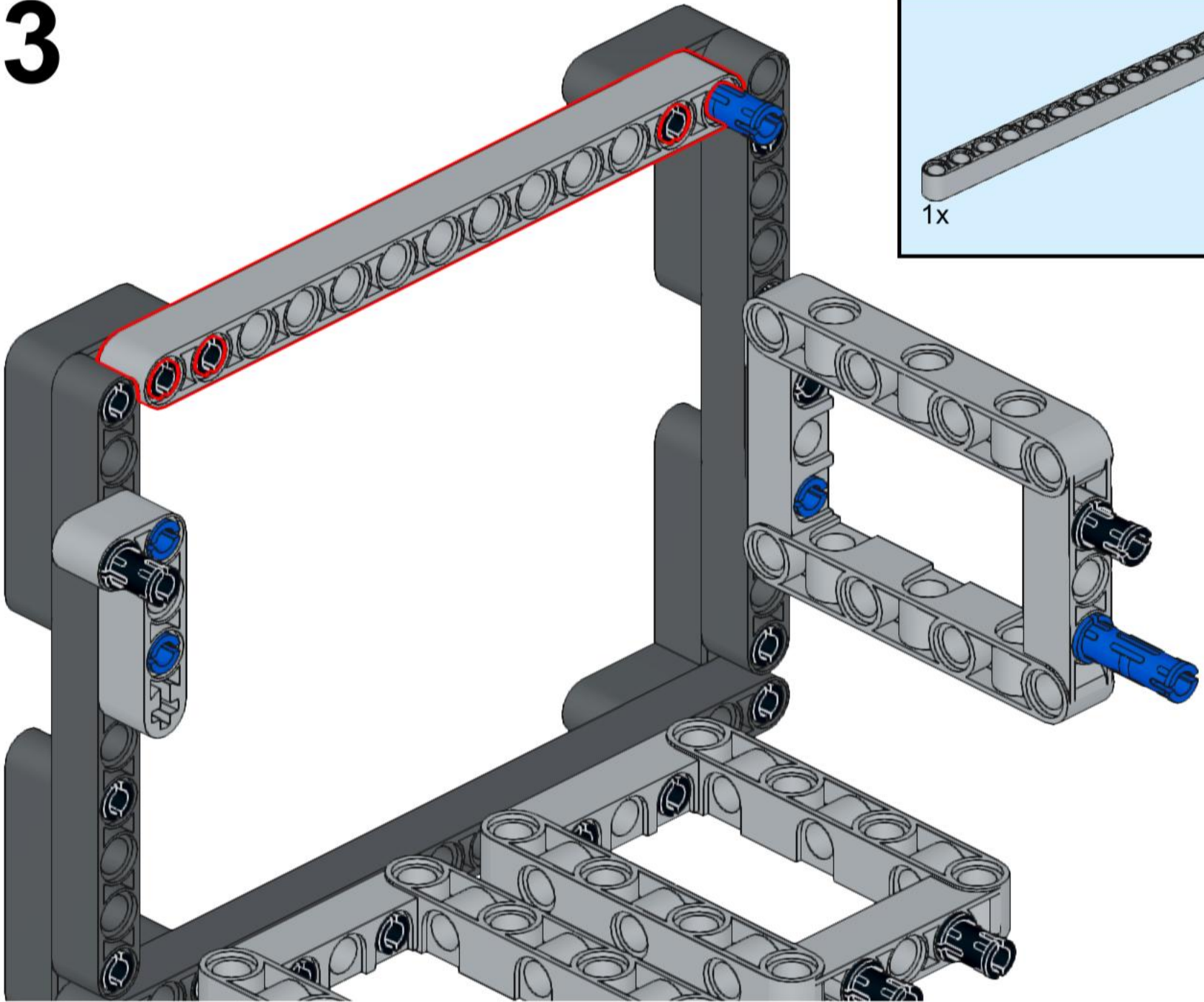
11



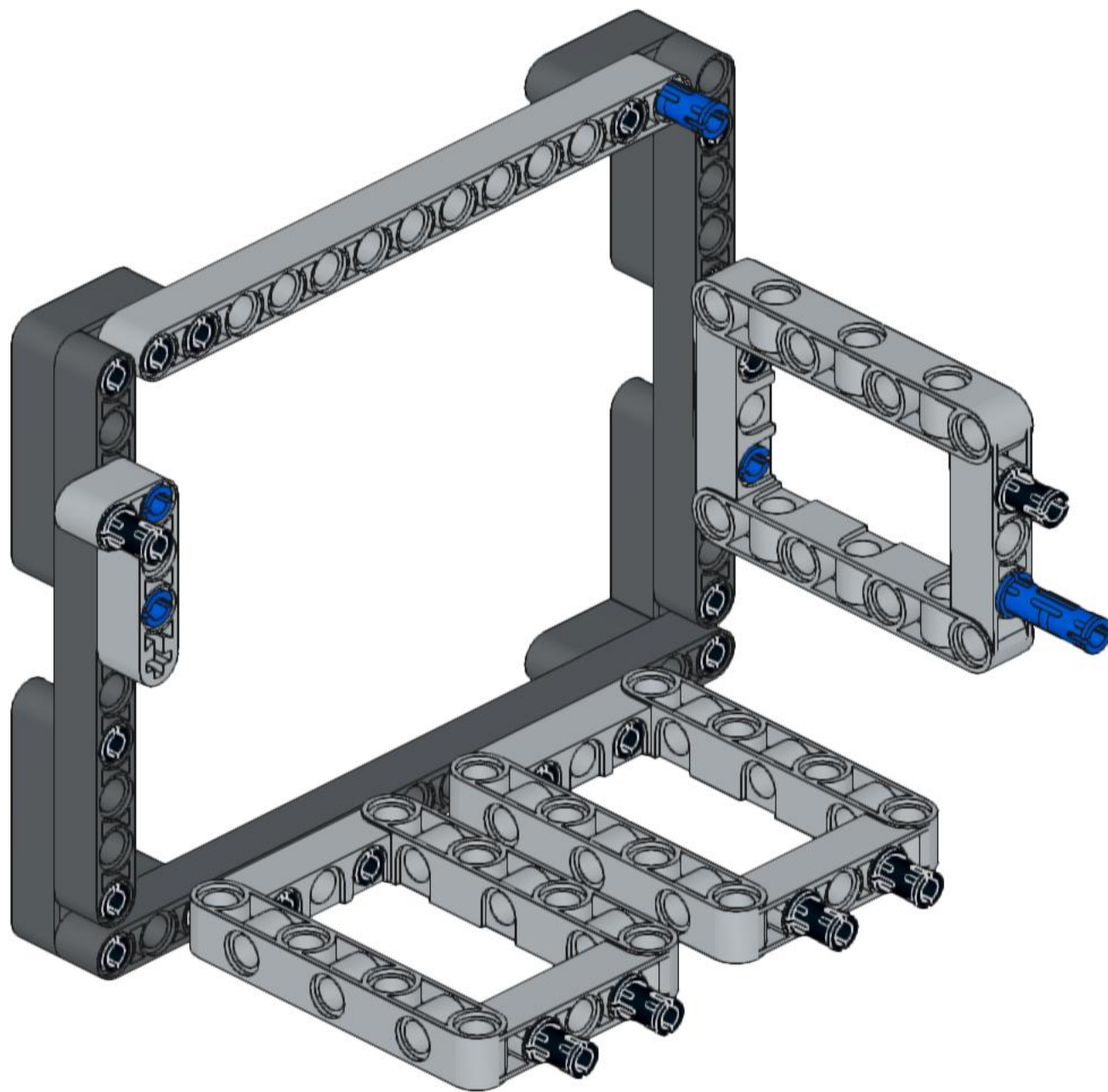
12



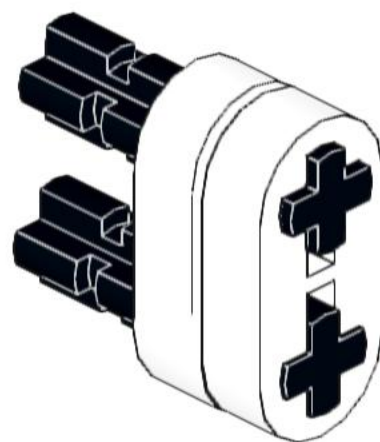
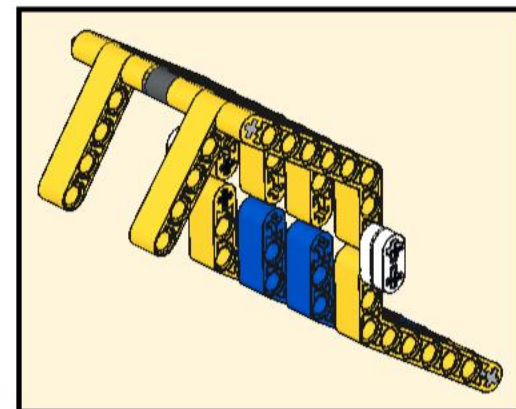
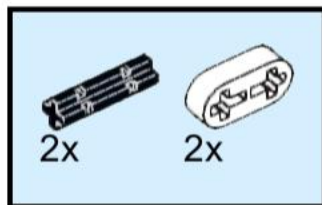
13



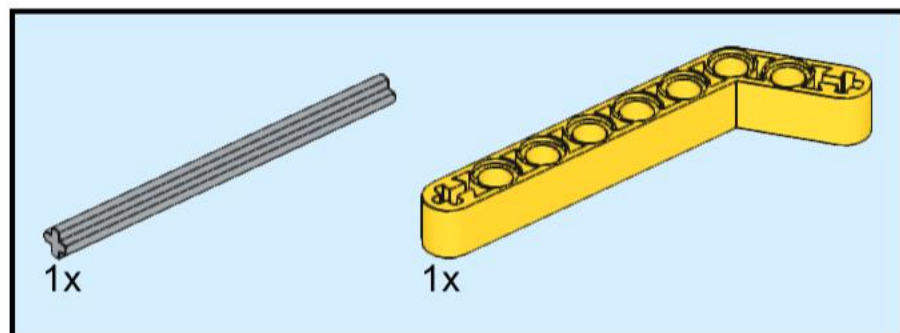
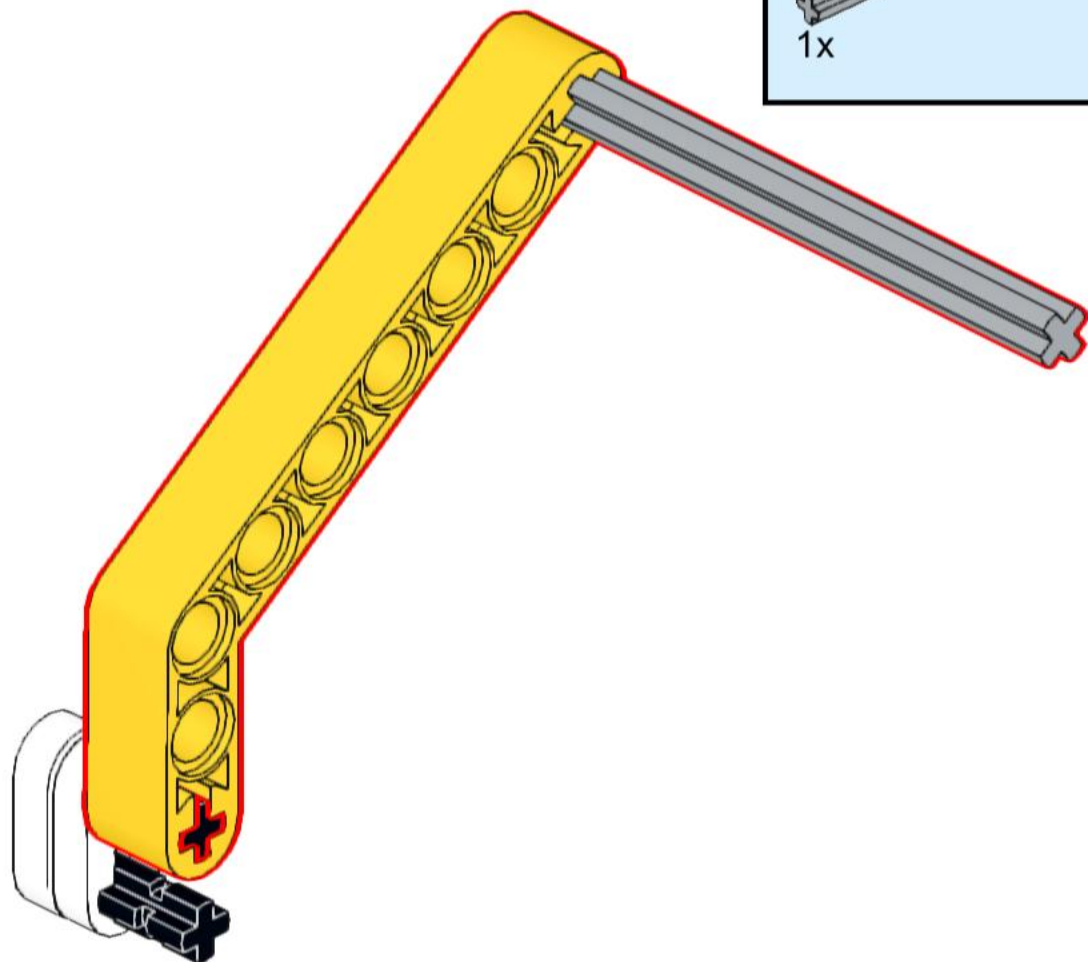
14



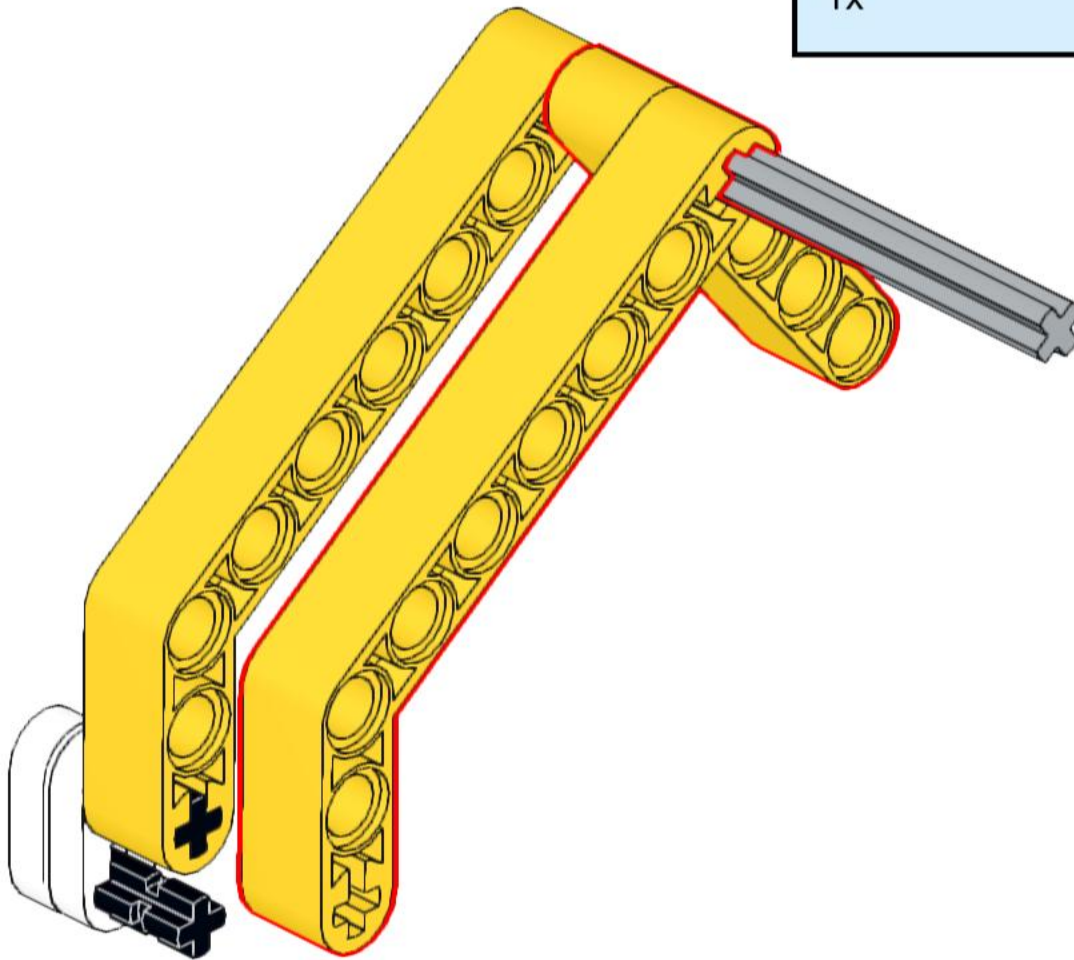
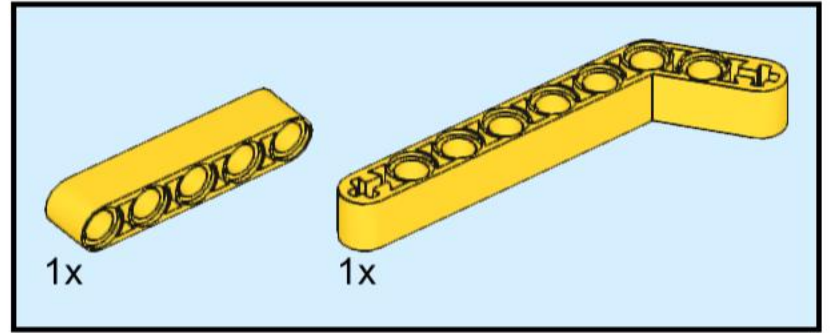
15



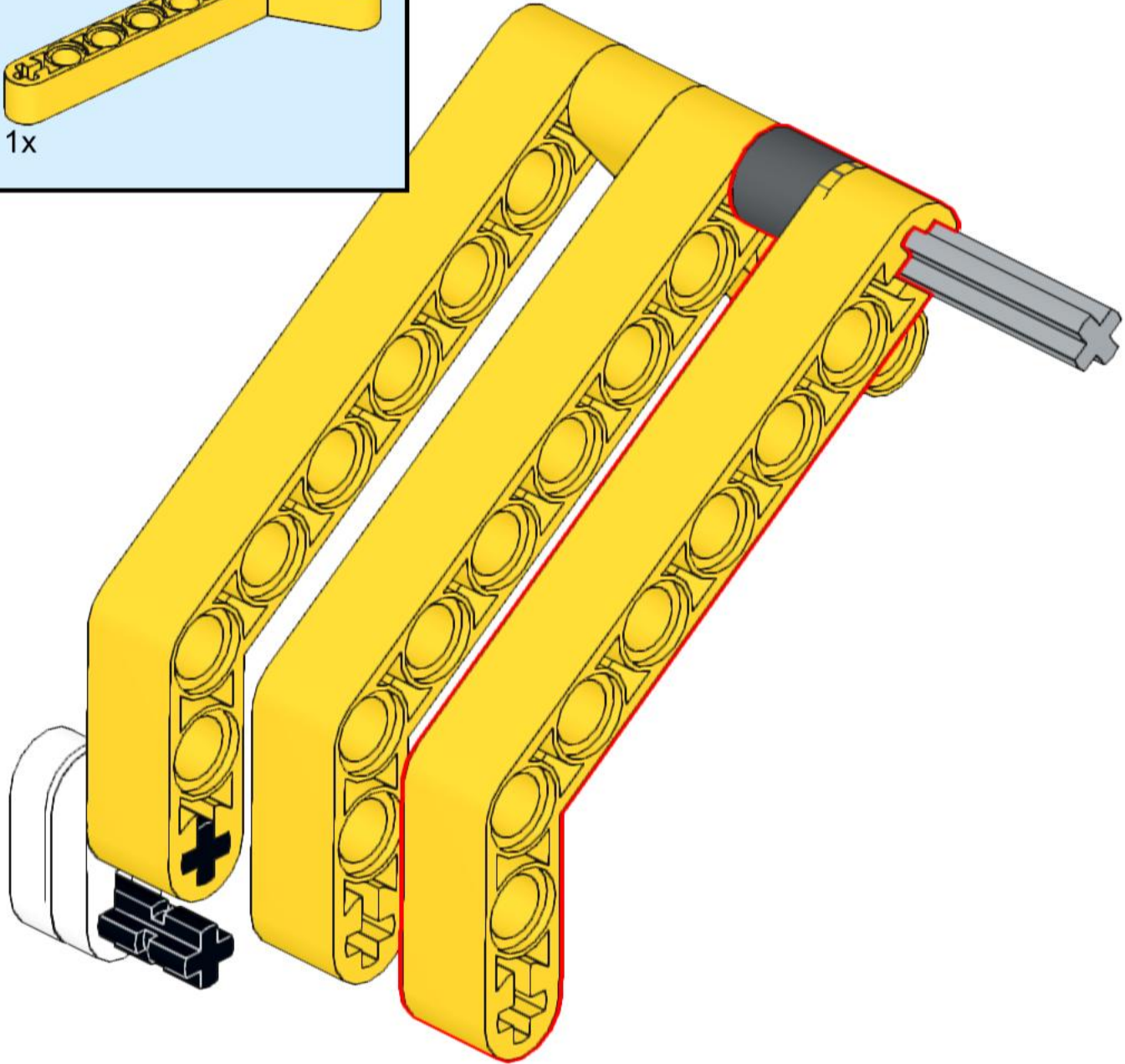
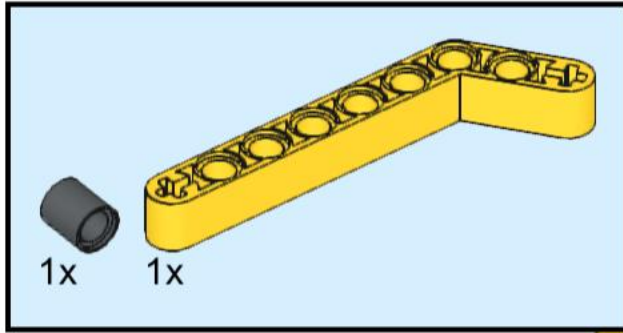
16



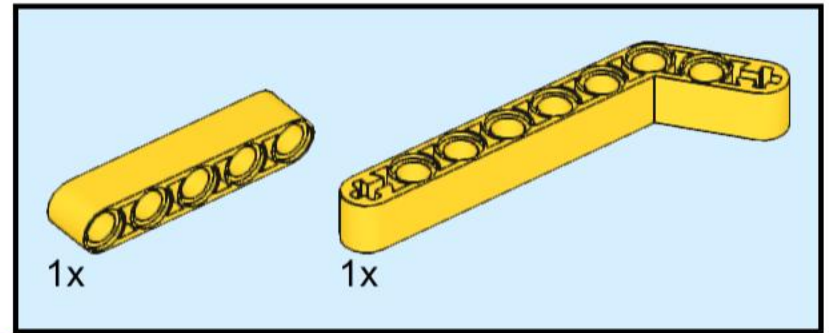
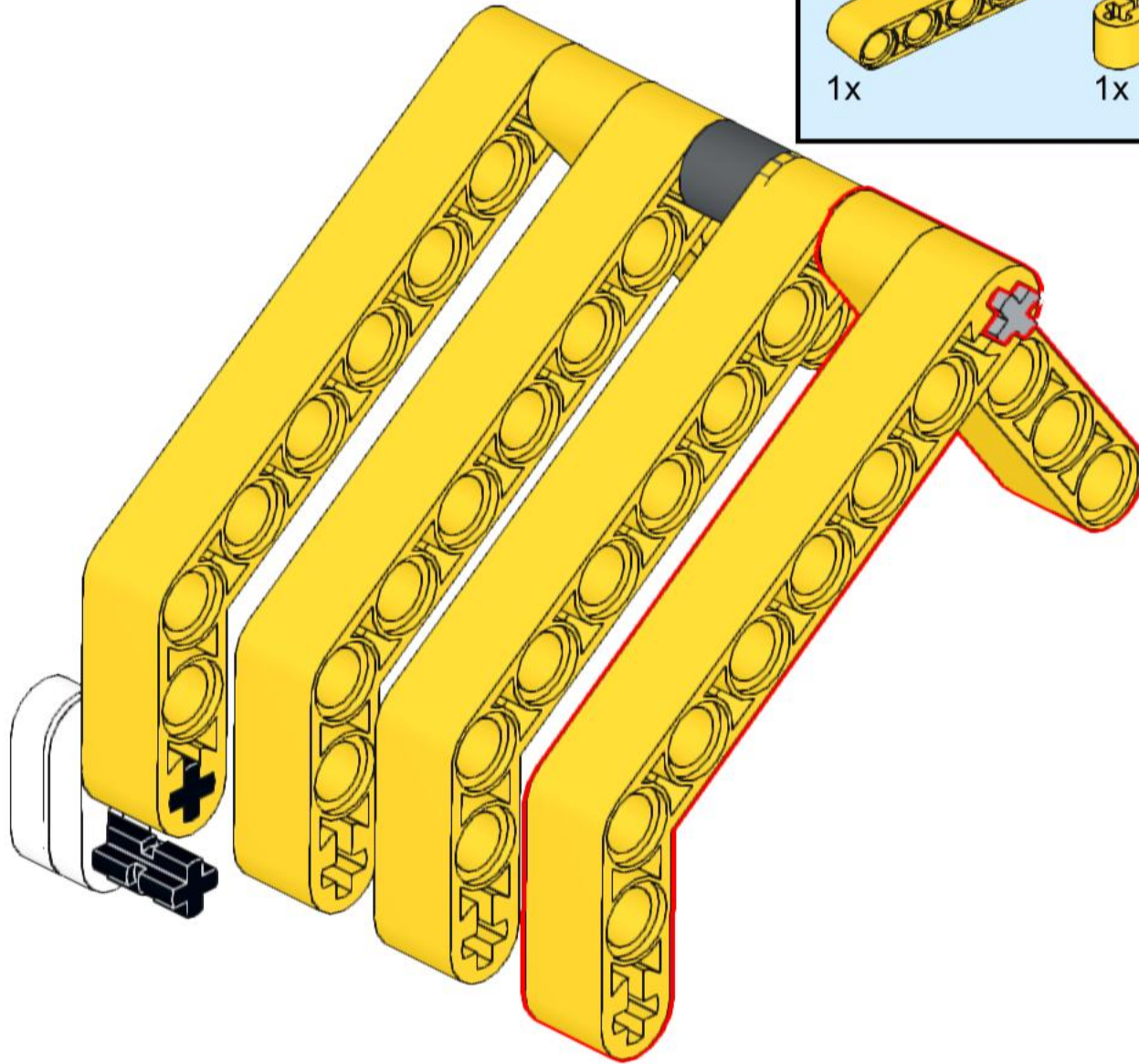
17



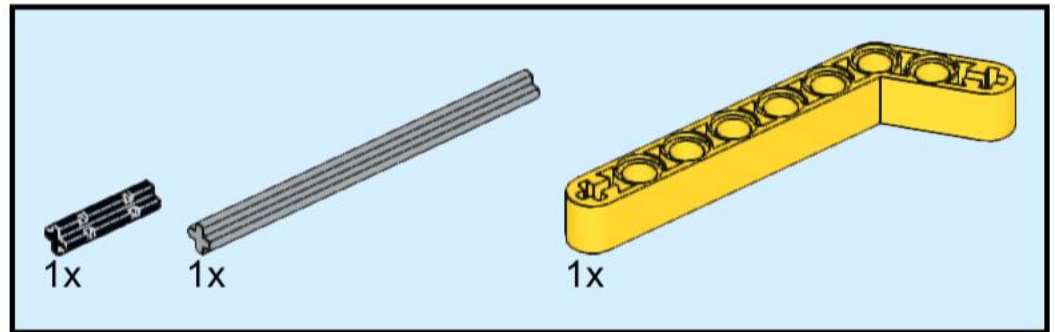
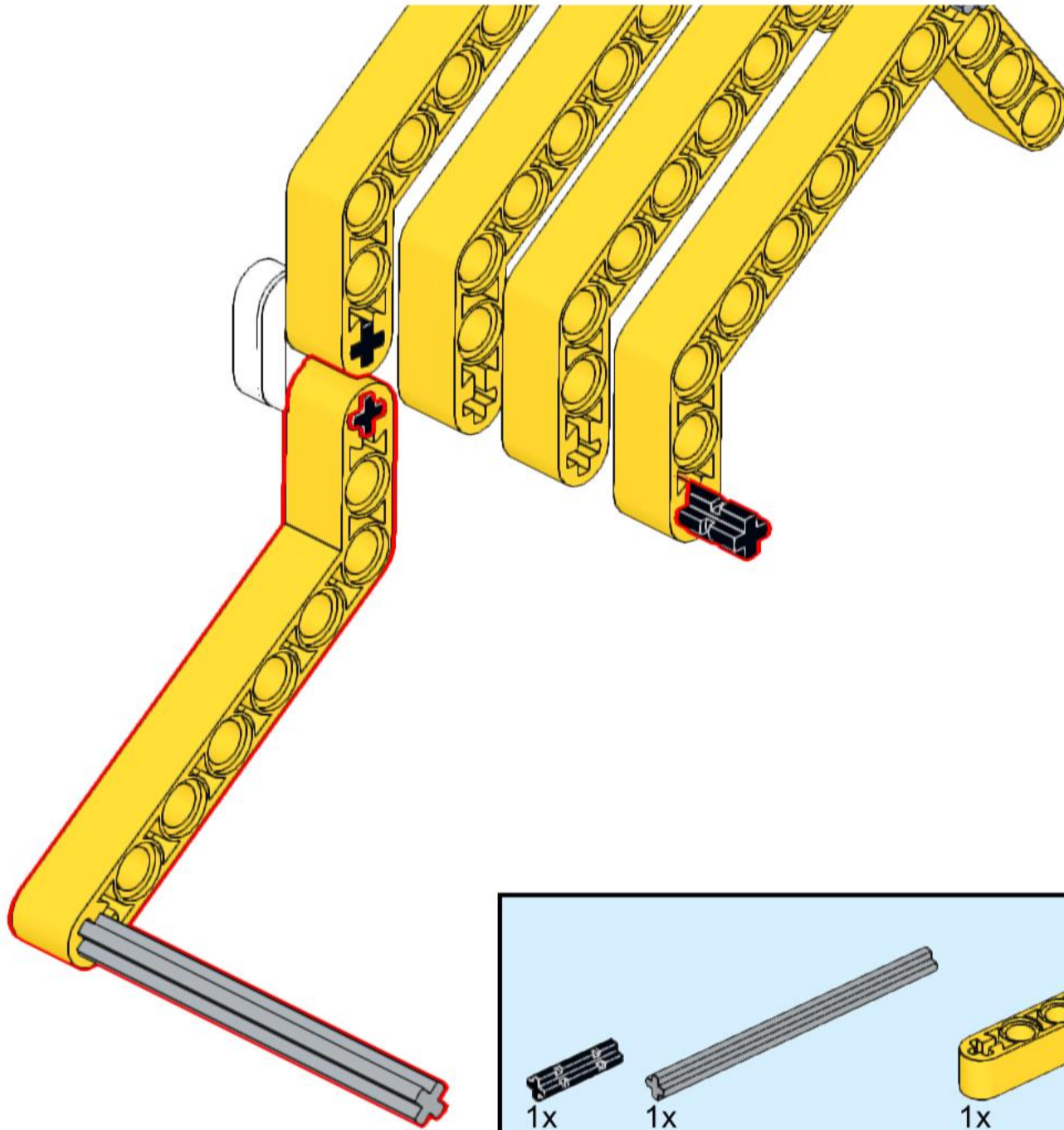
18



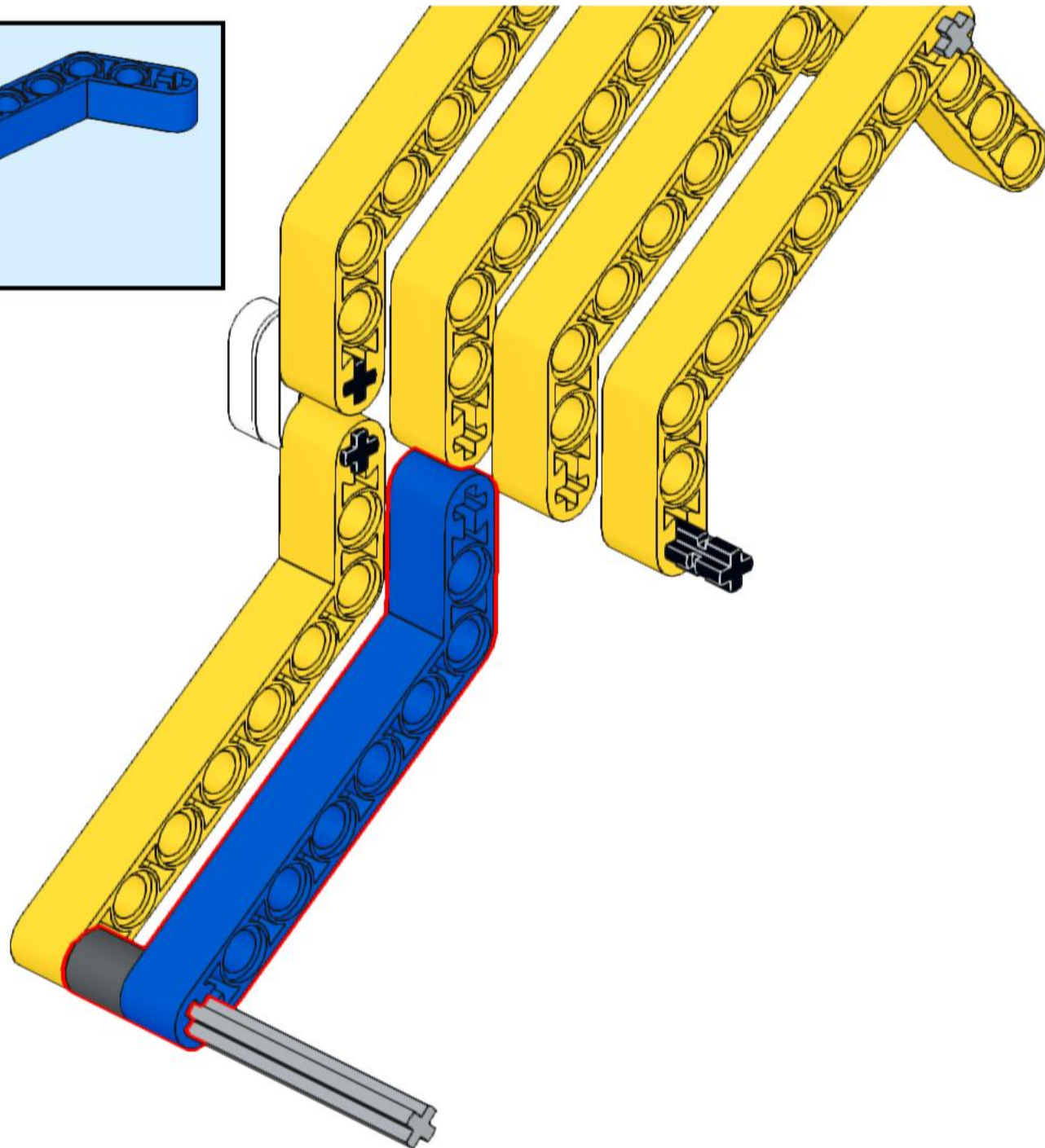
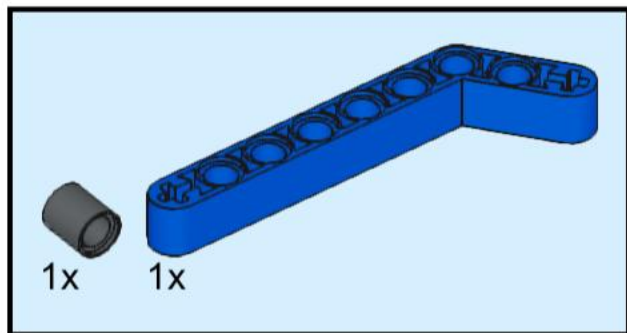
19



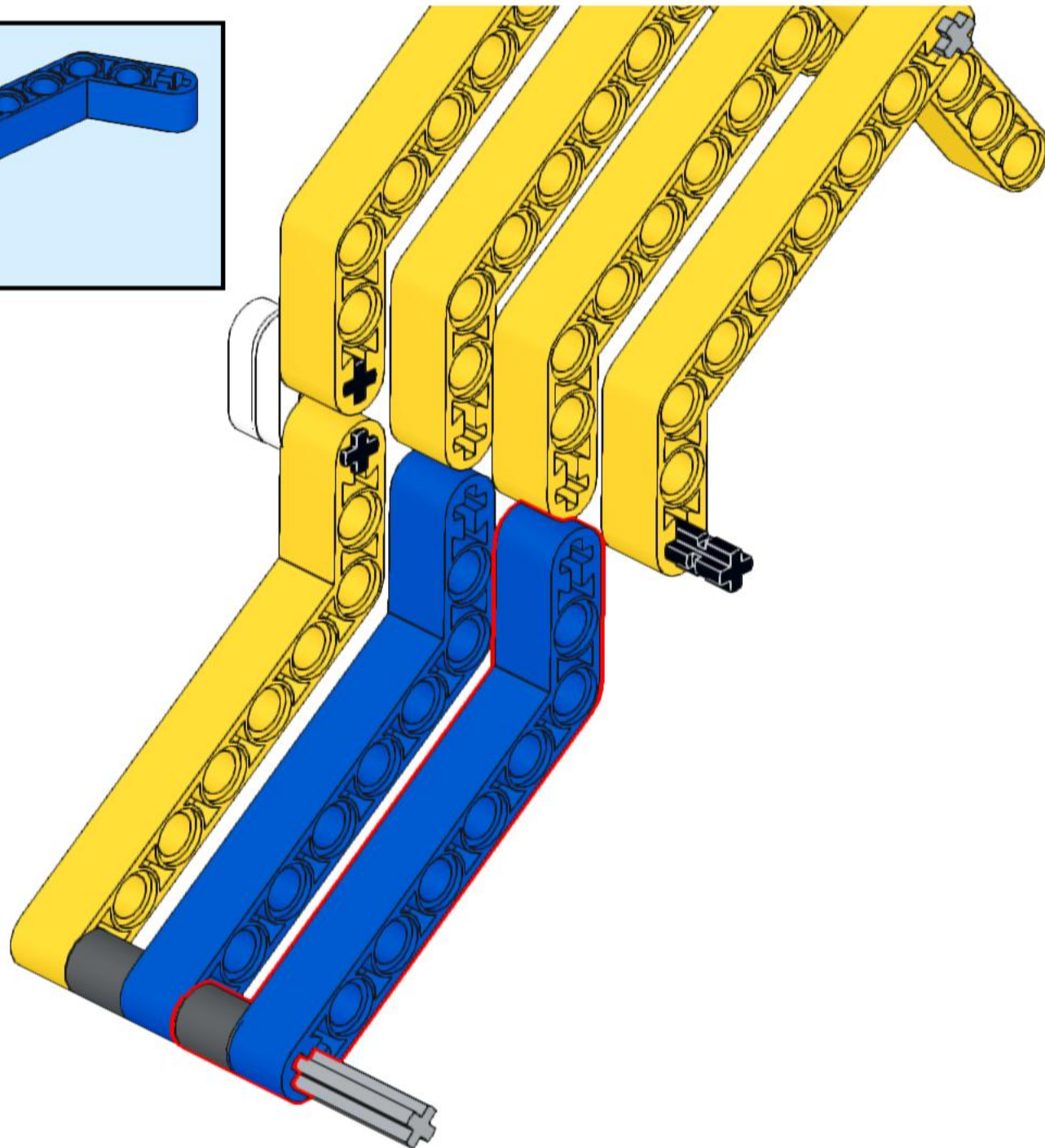
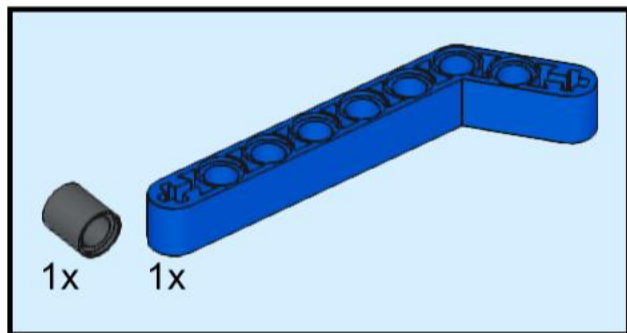
20



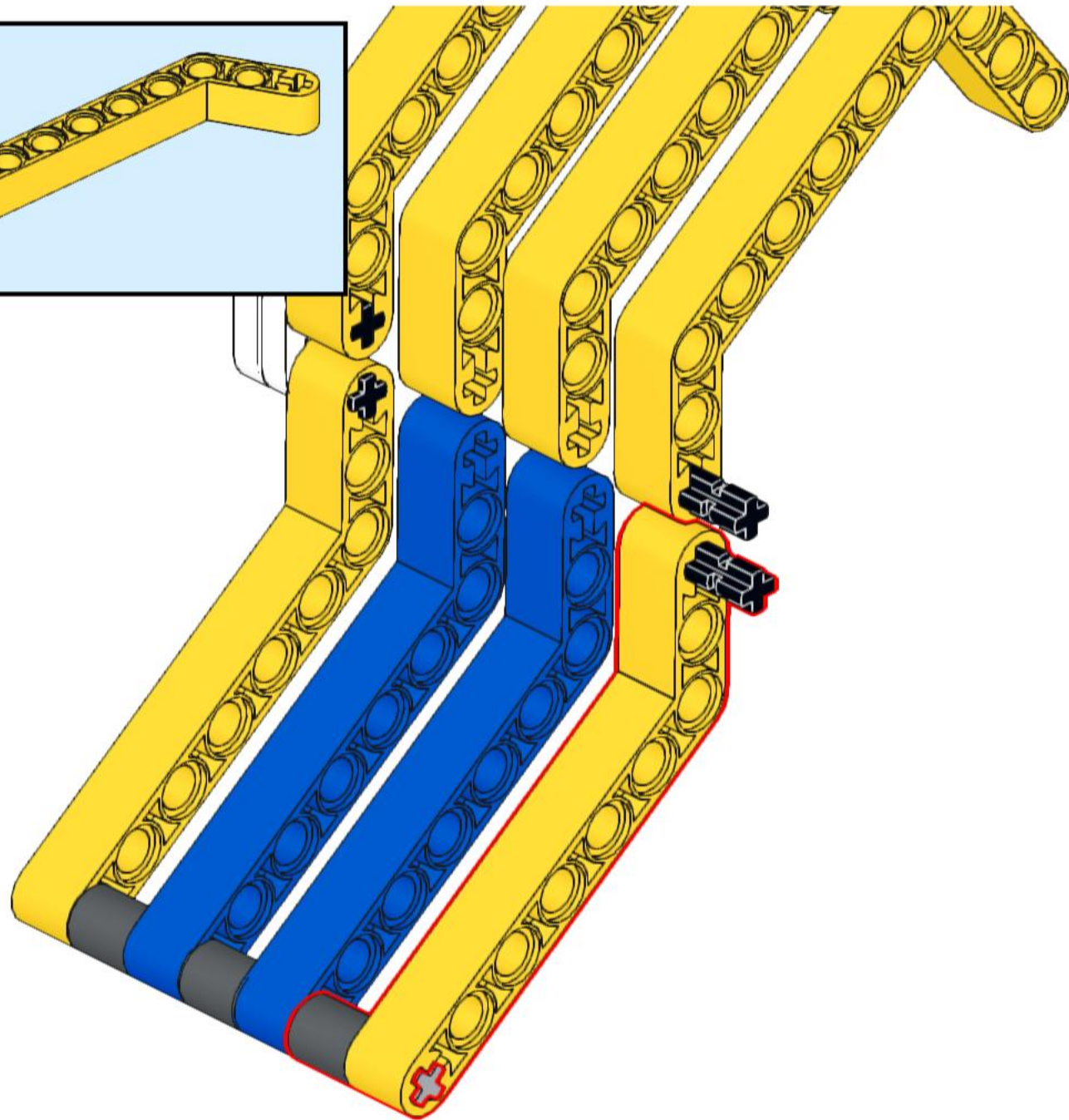
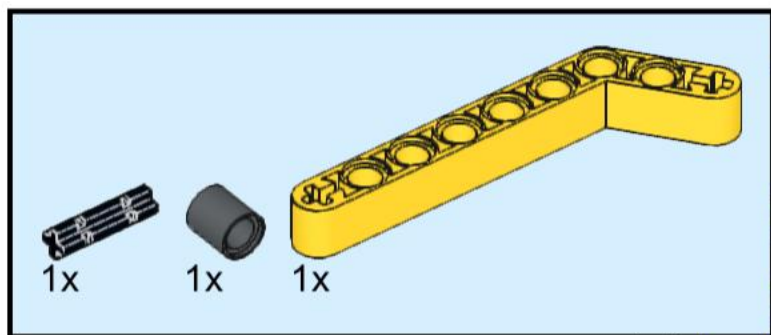
21



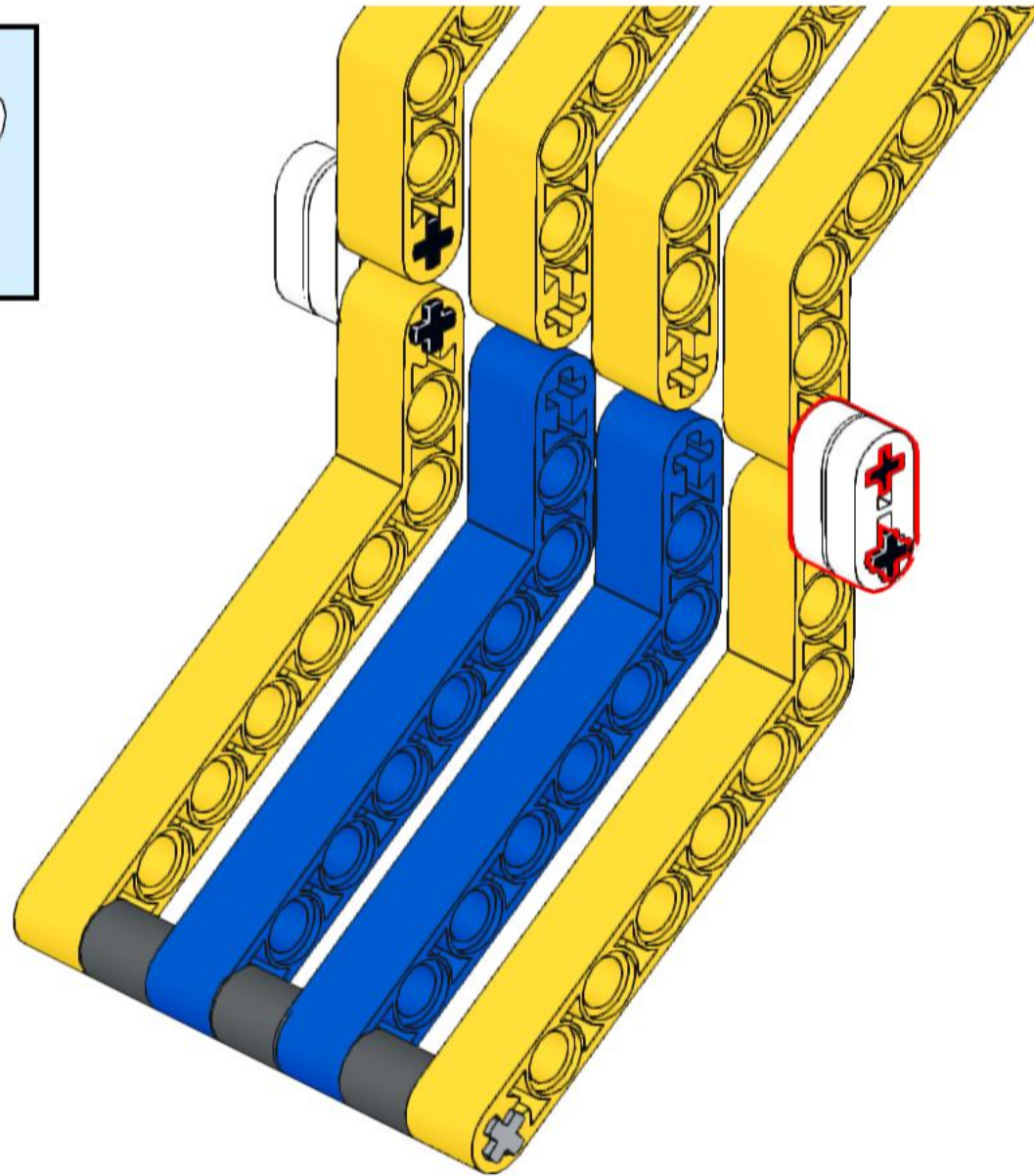
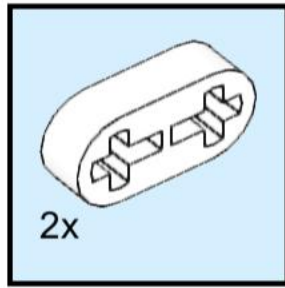
22



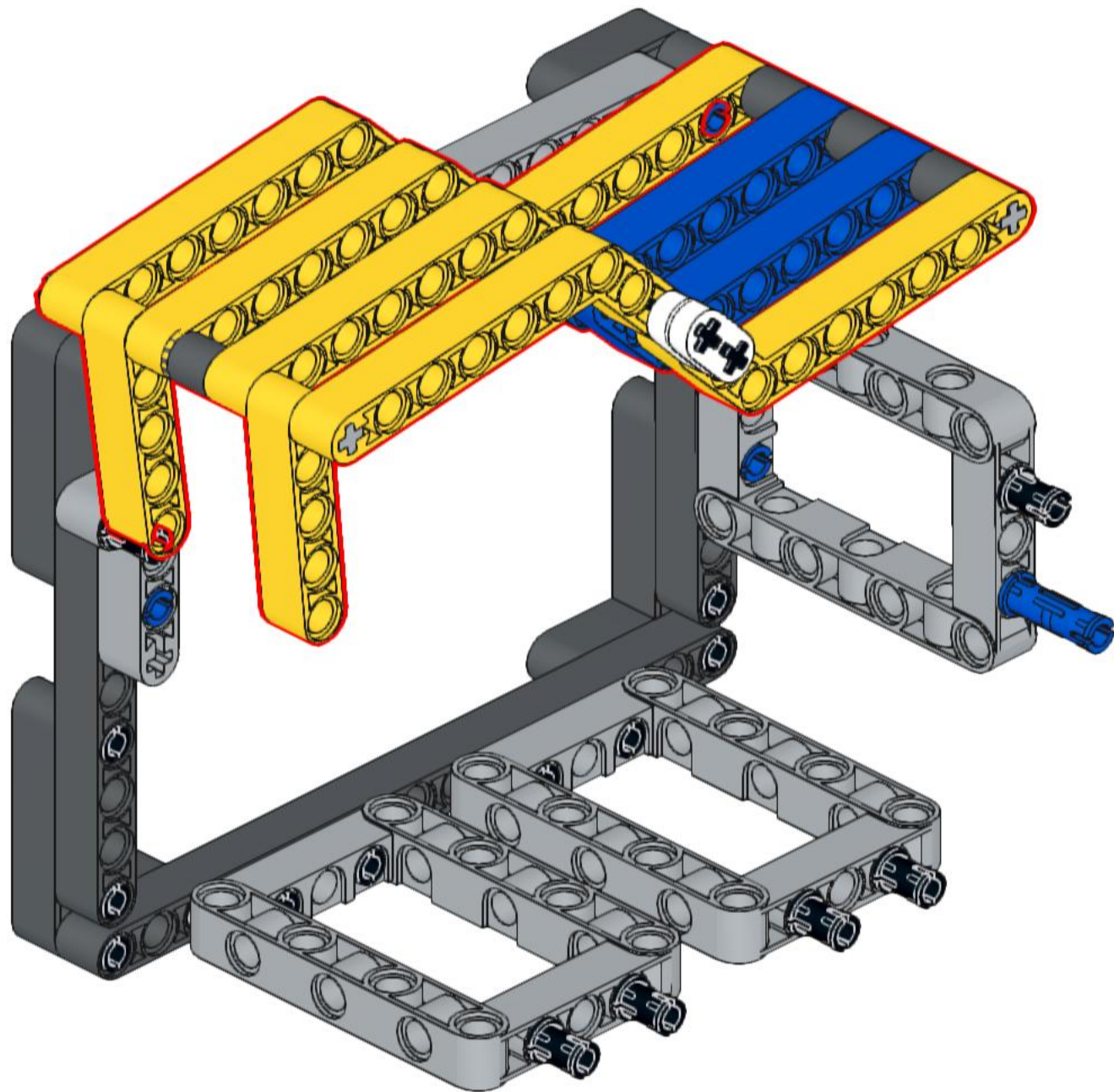
23



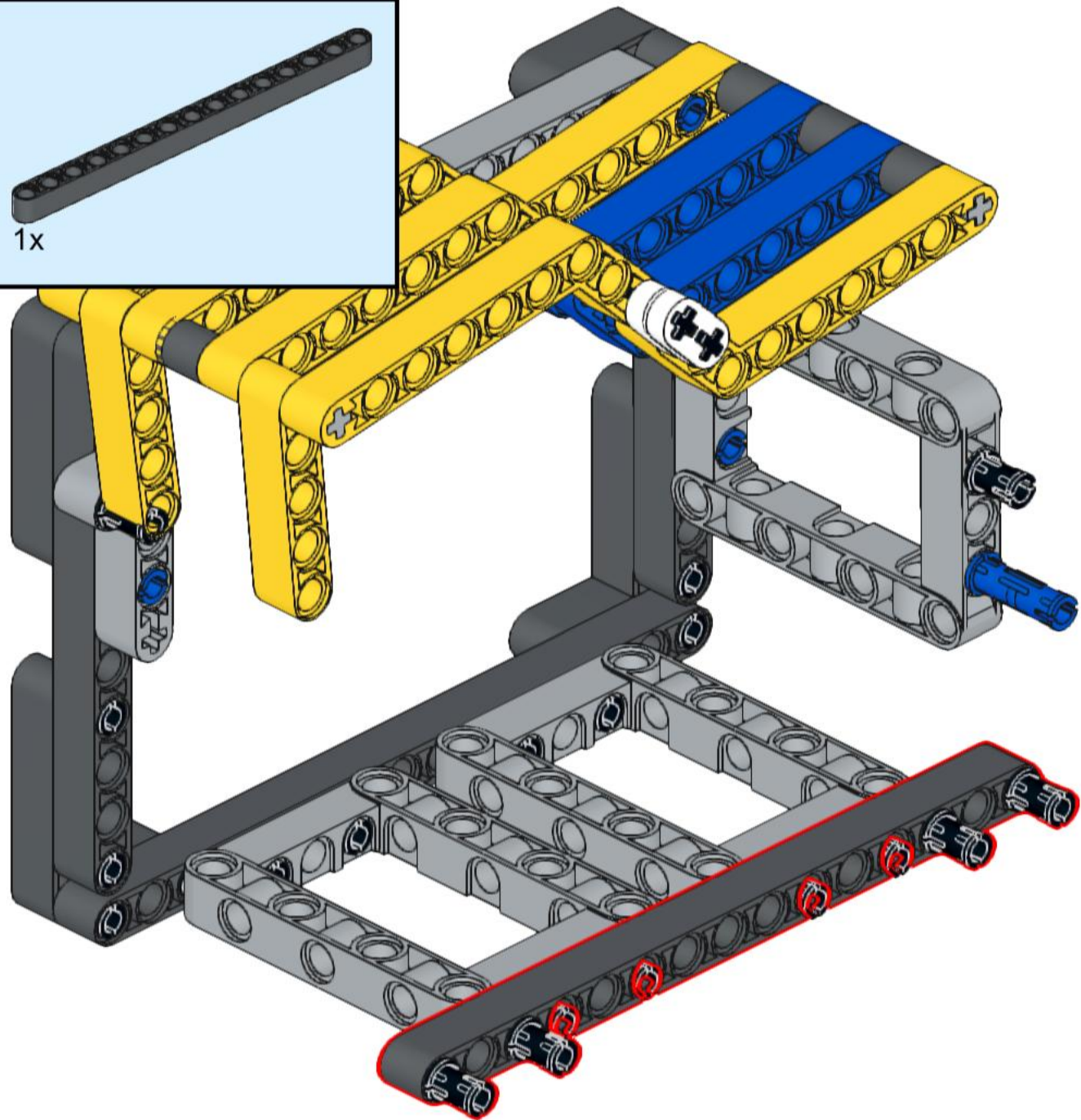
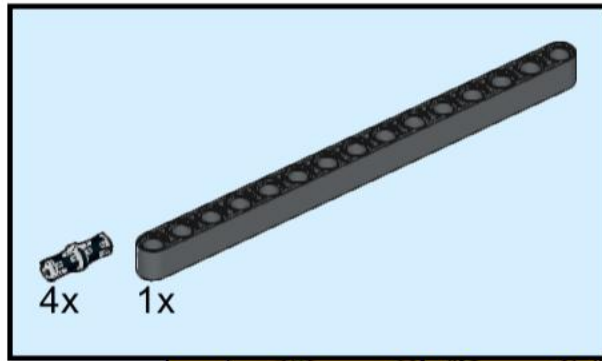
24



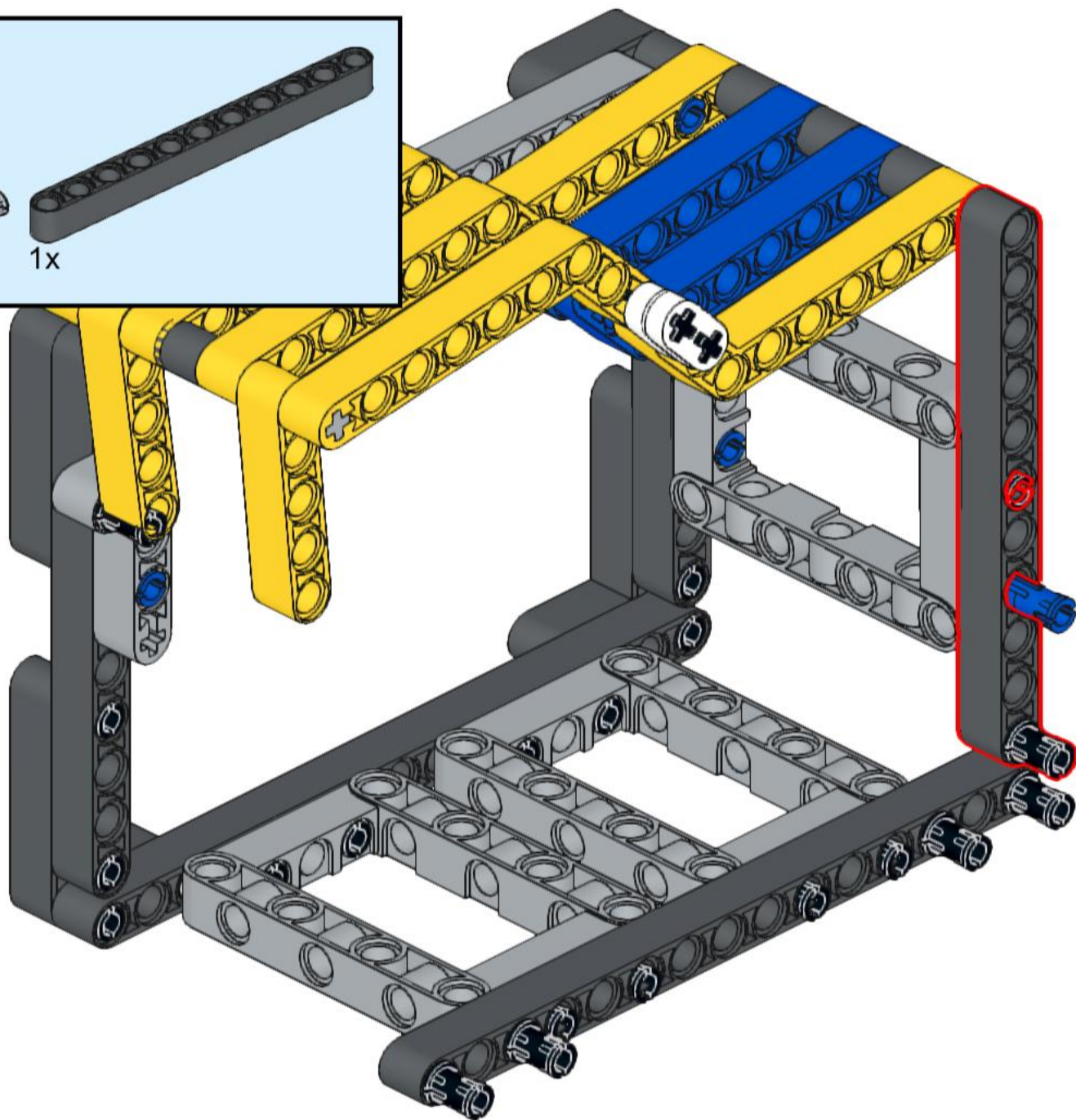
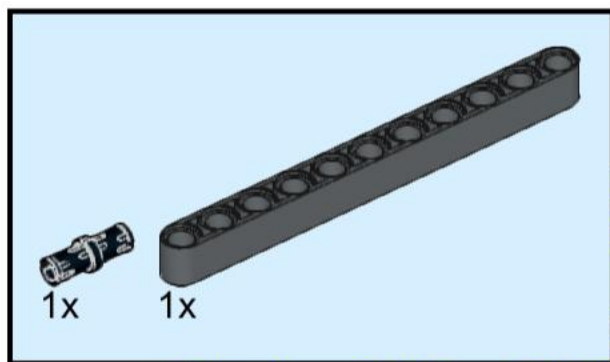
25



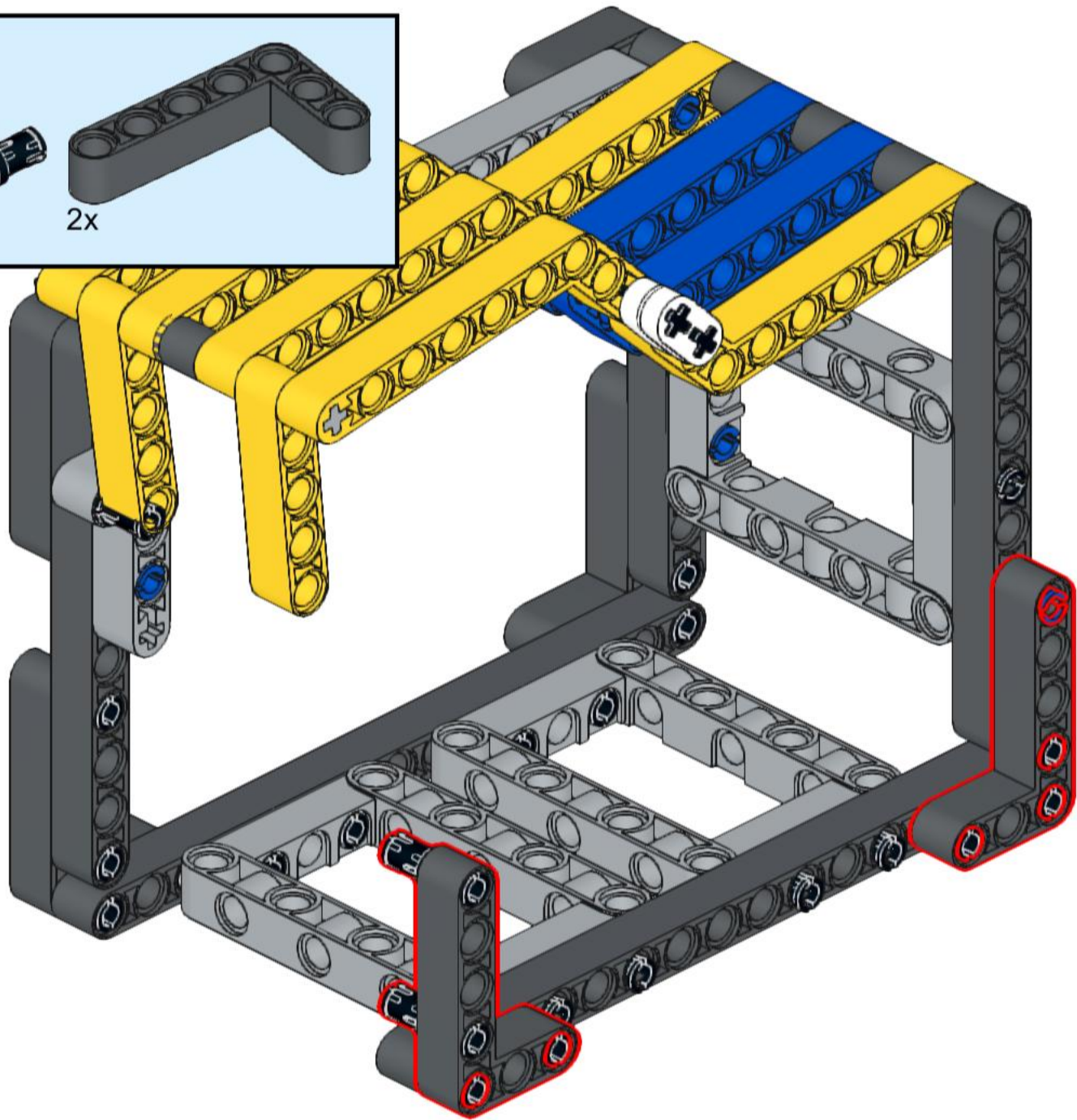
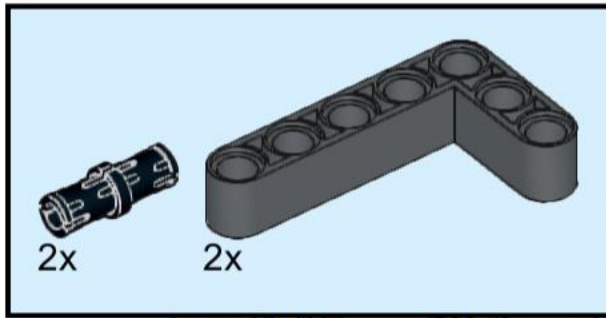
26



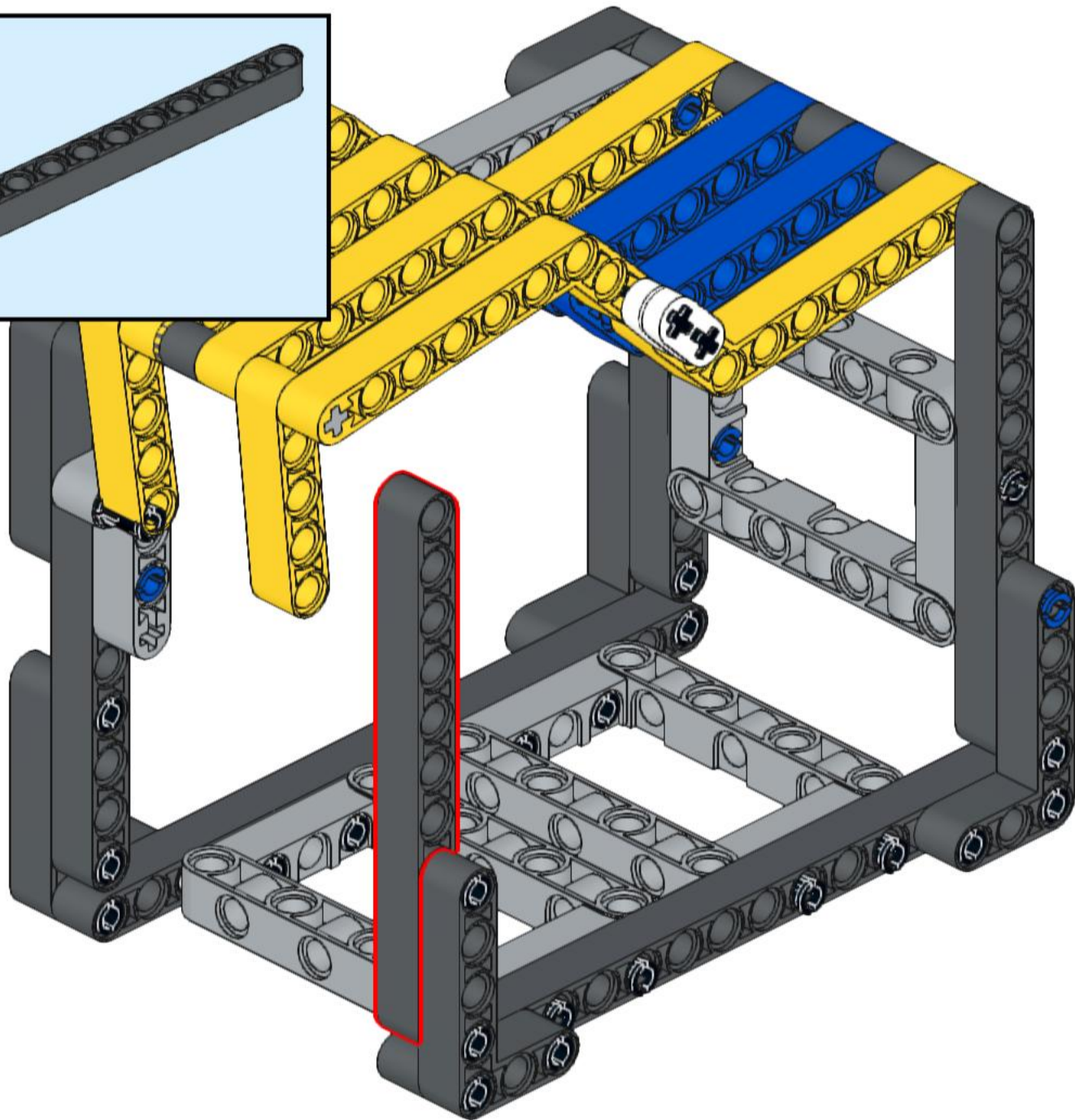
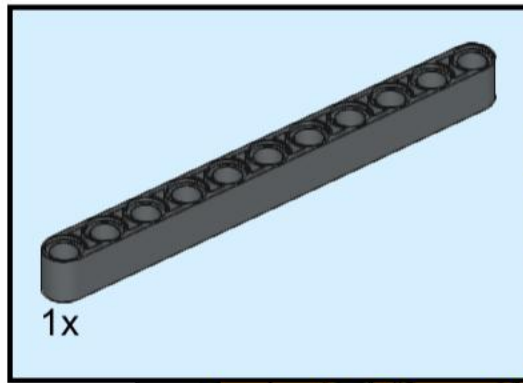
27



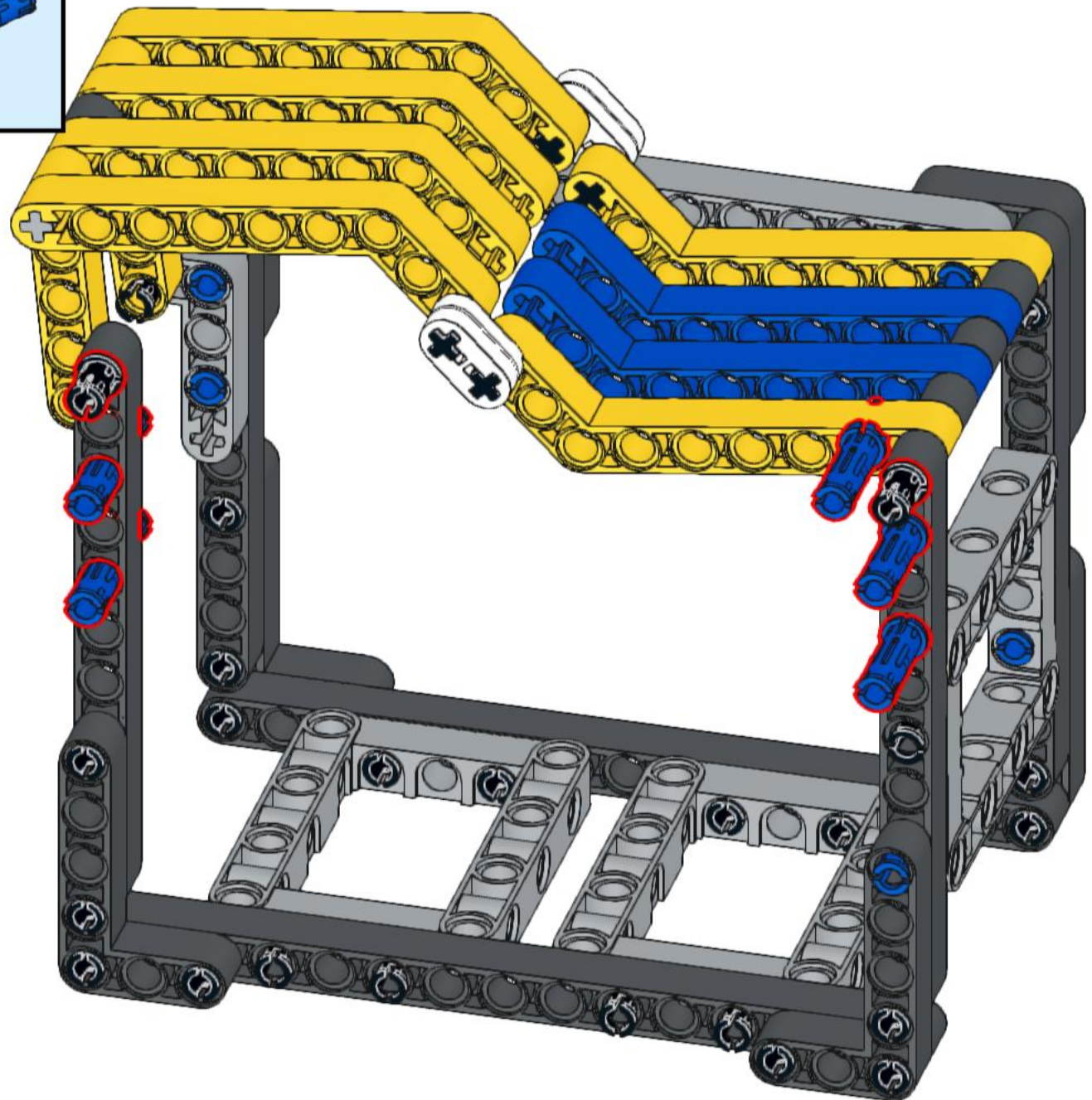
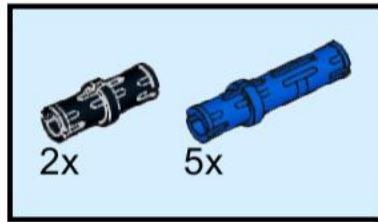
28



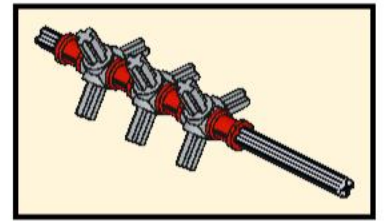
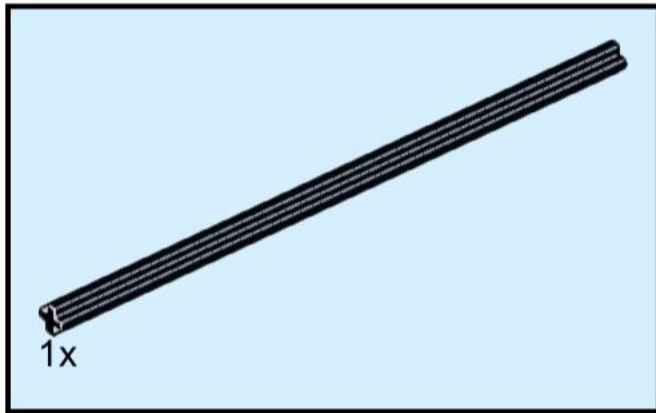
29



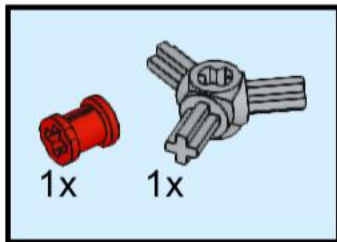
30



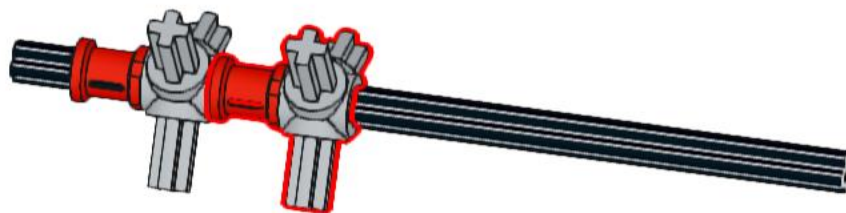
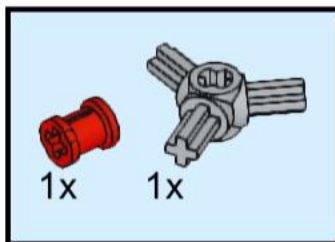
31



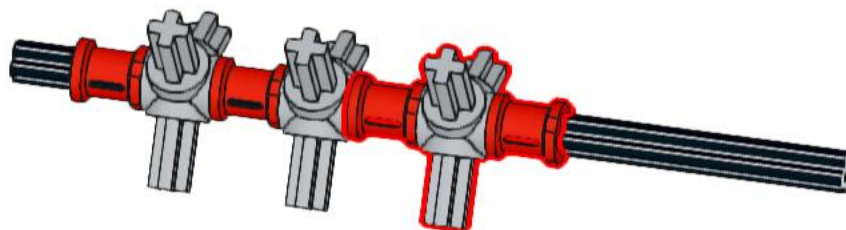
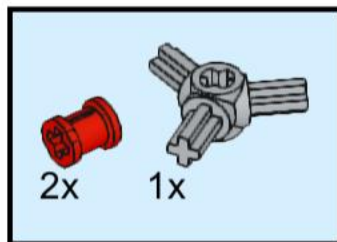
32



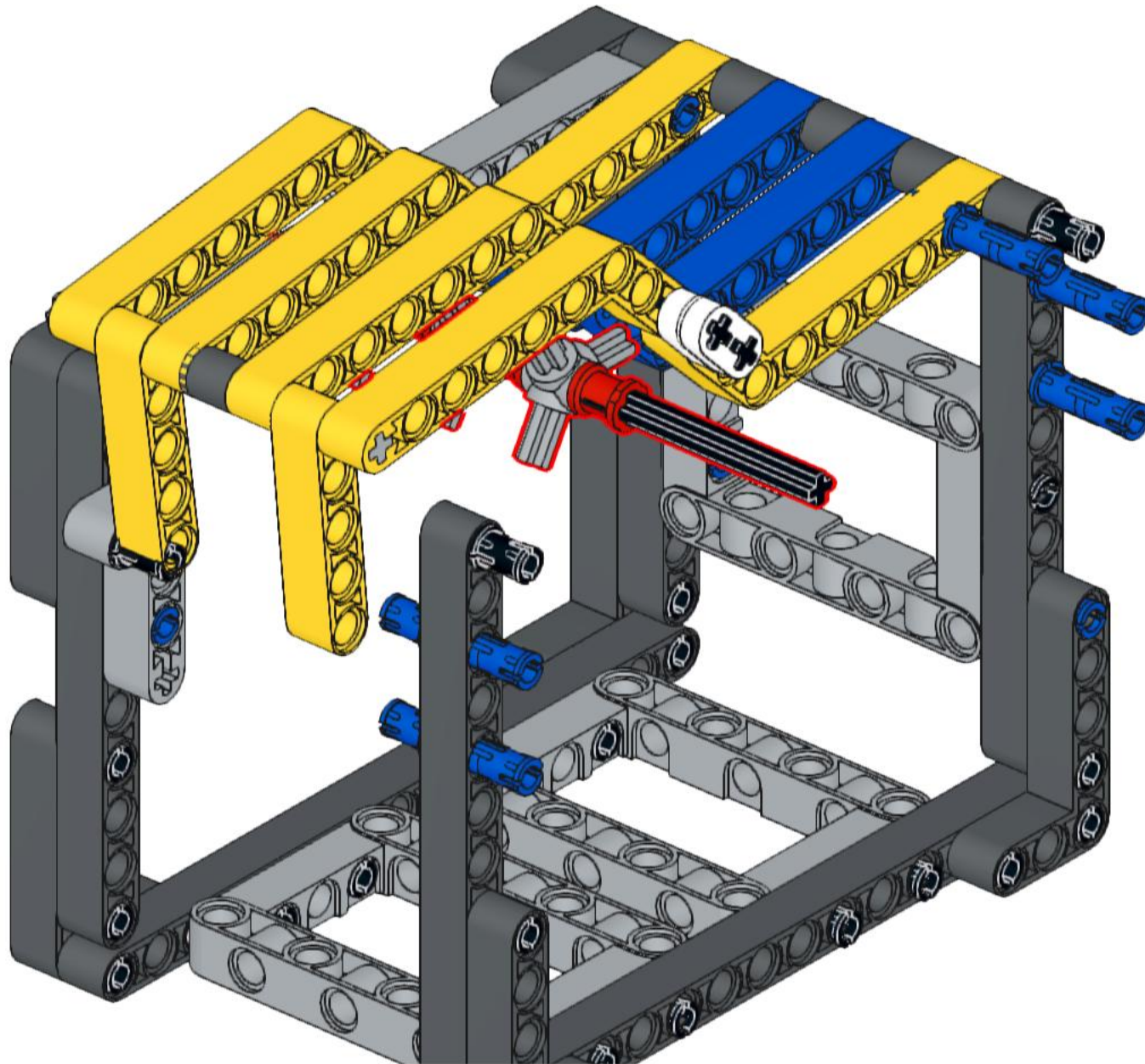
33



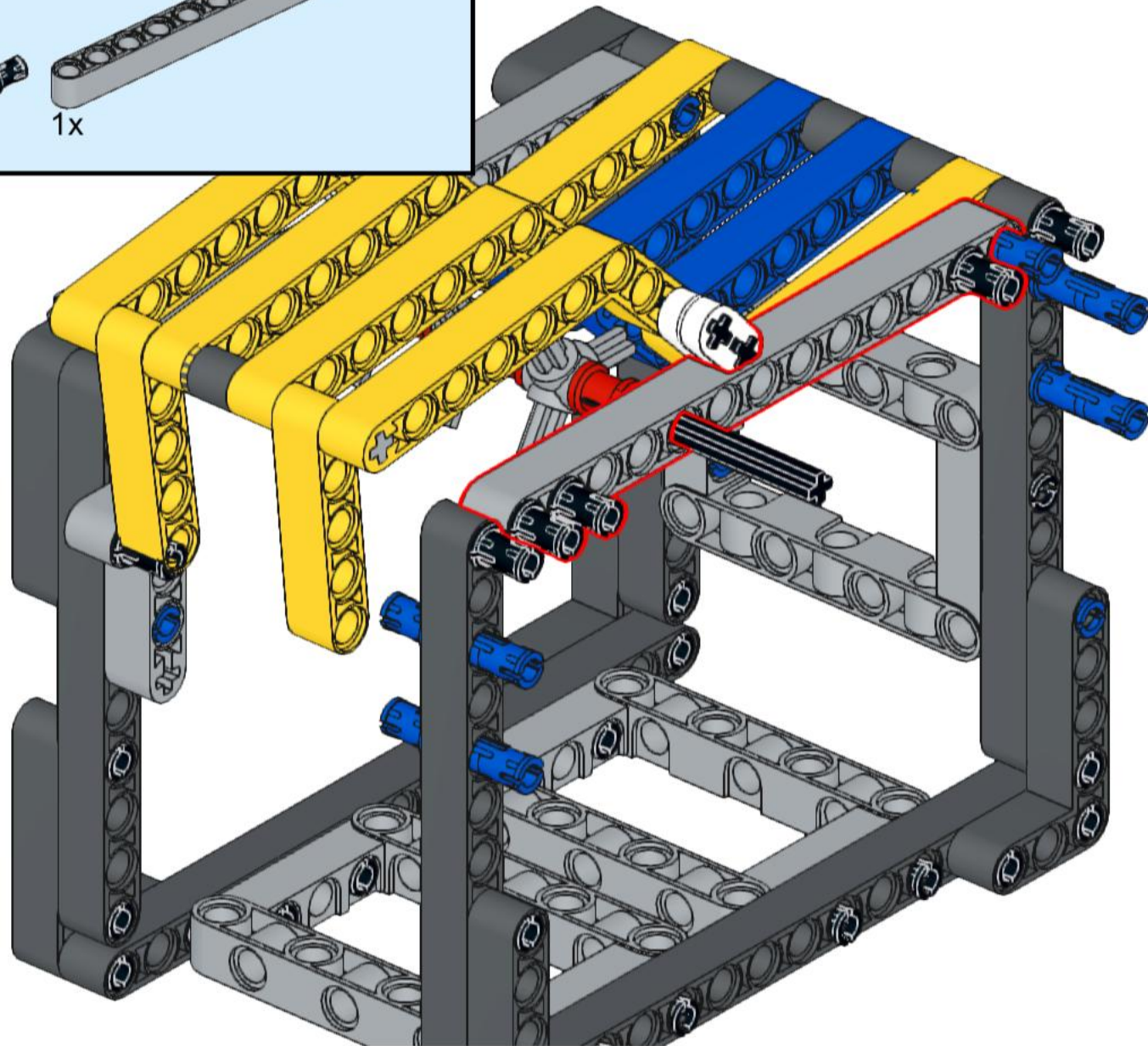
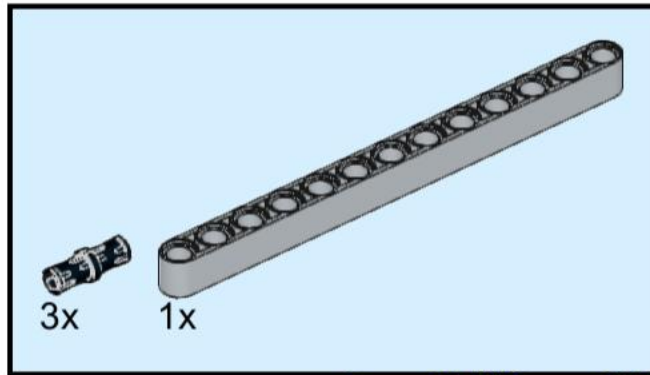
34



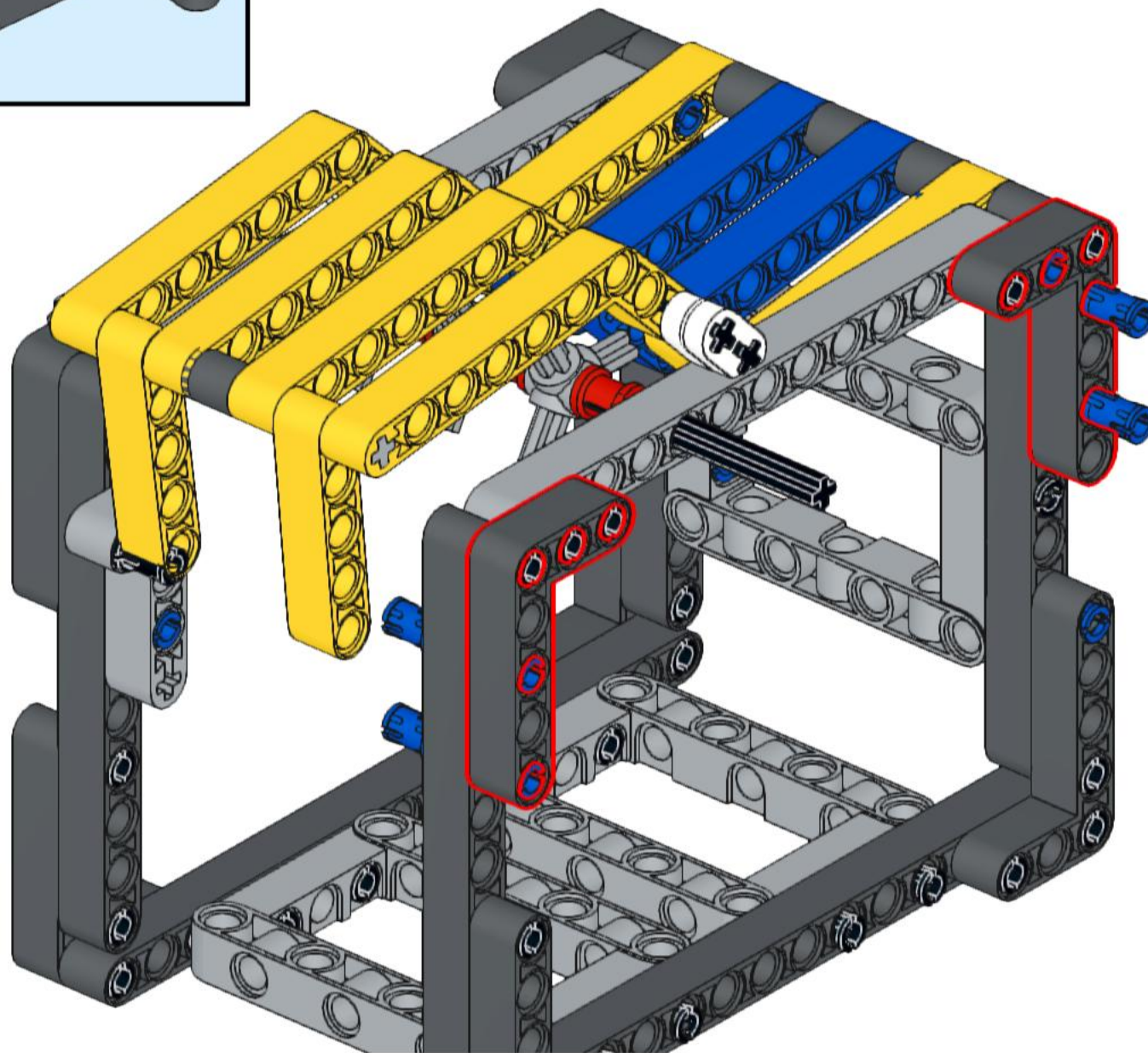
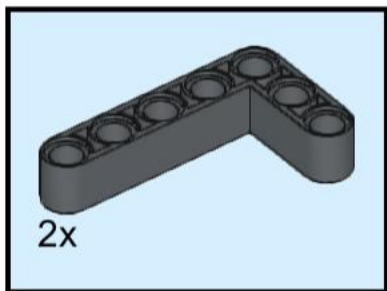
35



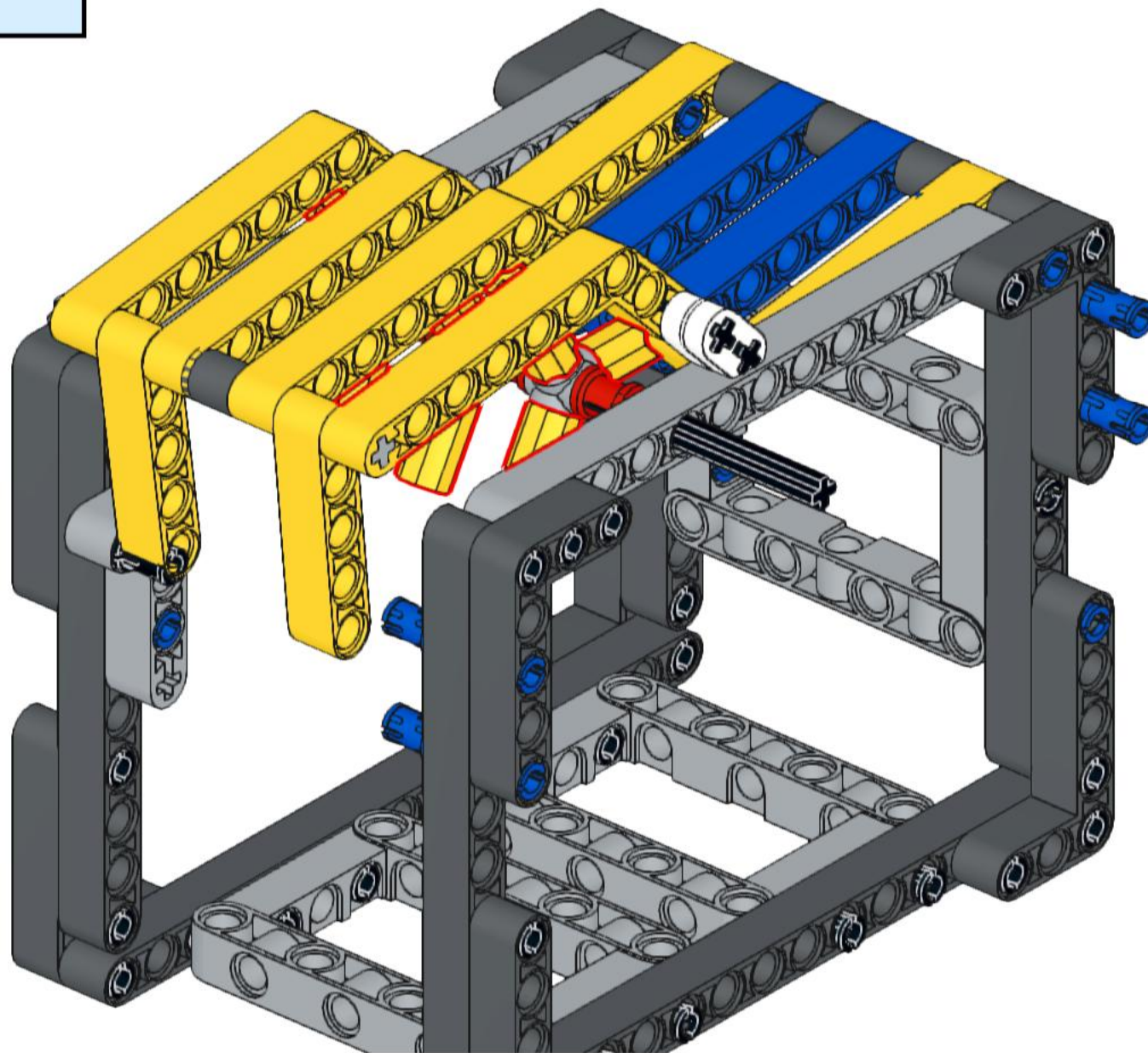
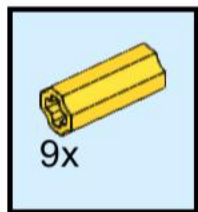
36



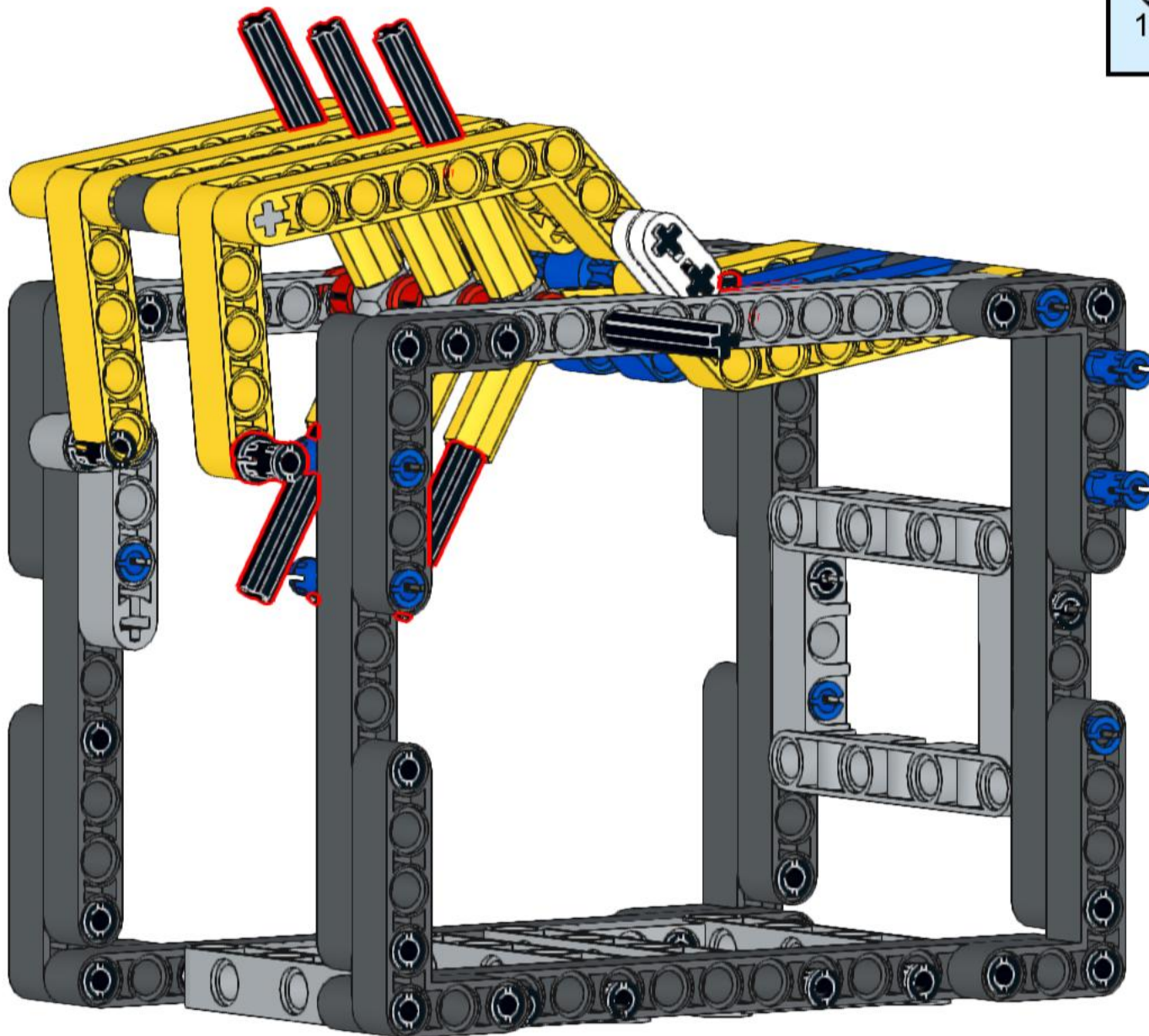
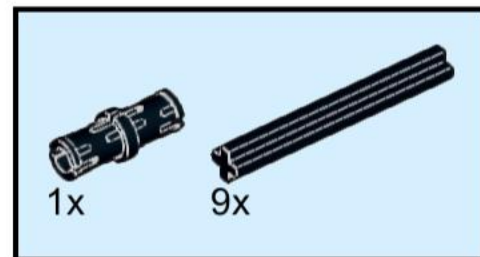
37



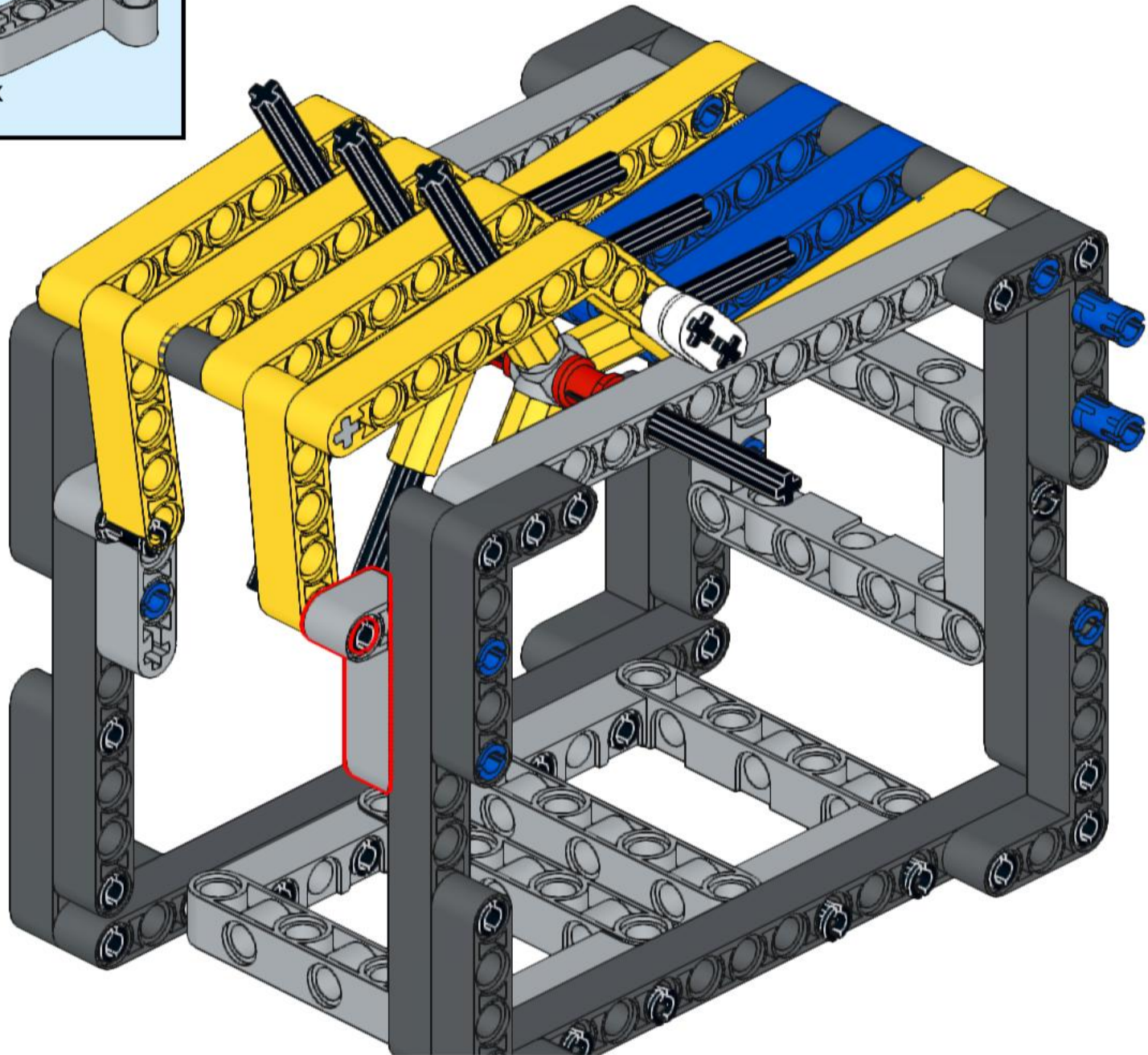
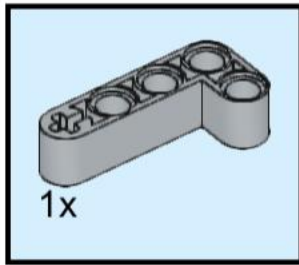
38



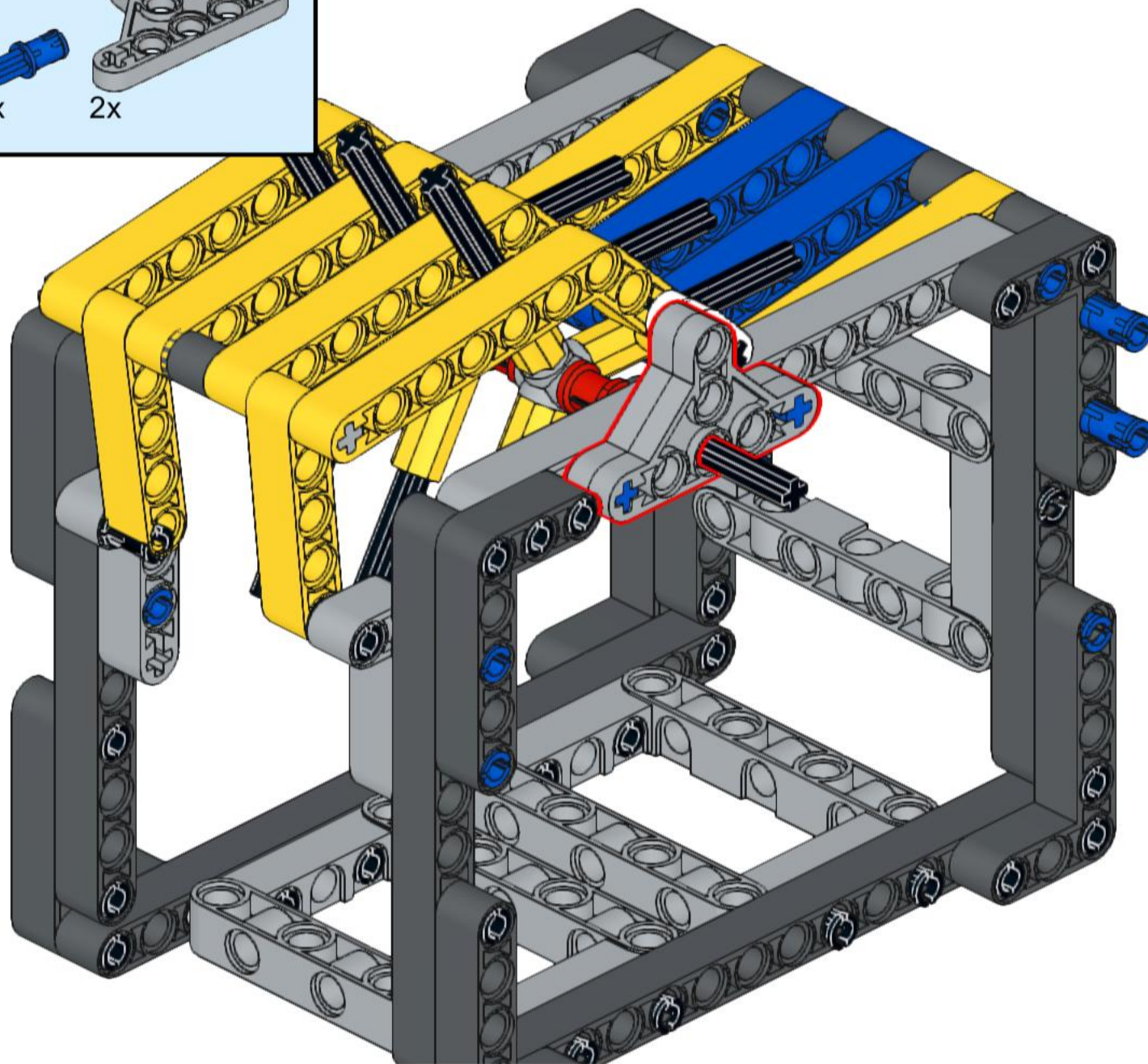
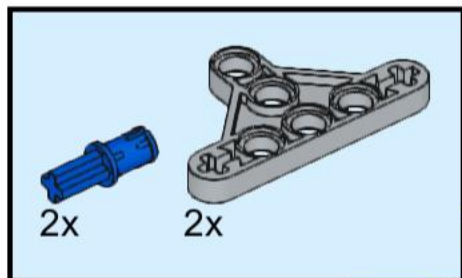
39



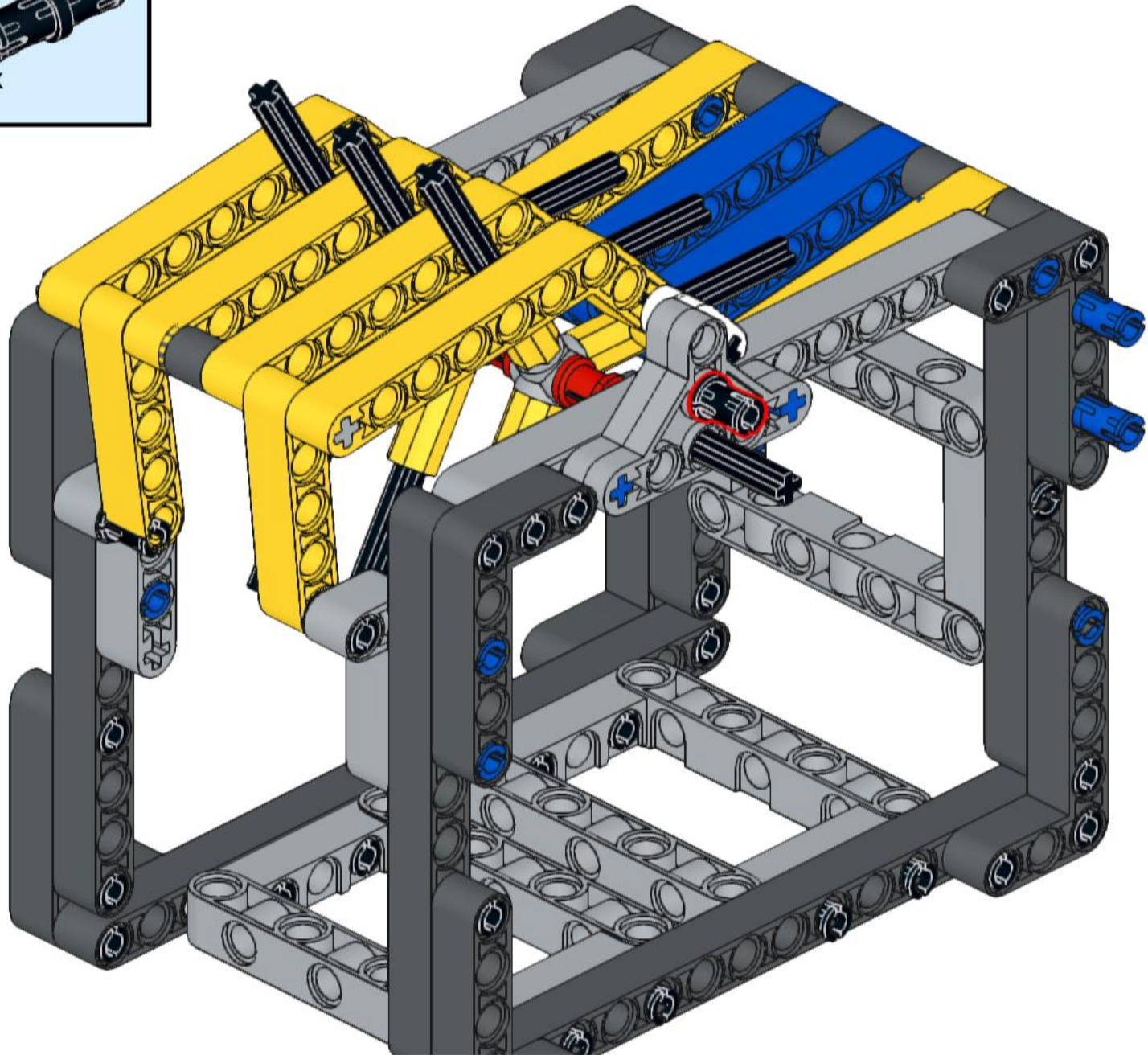
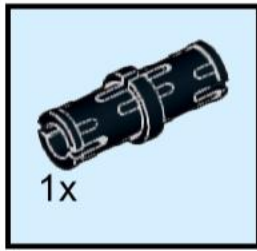
40



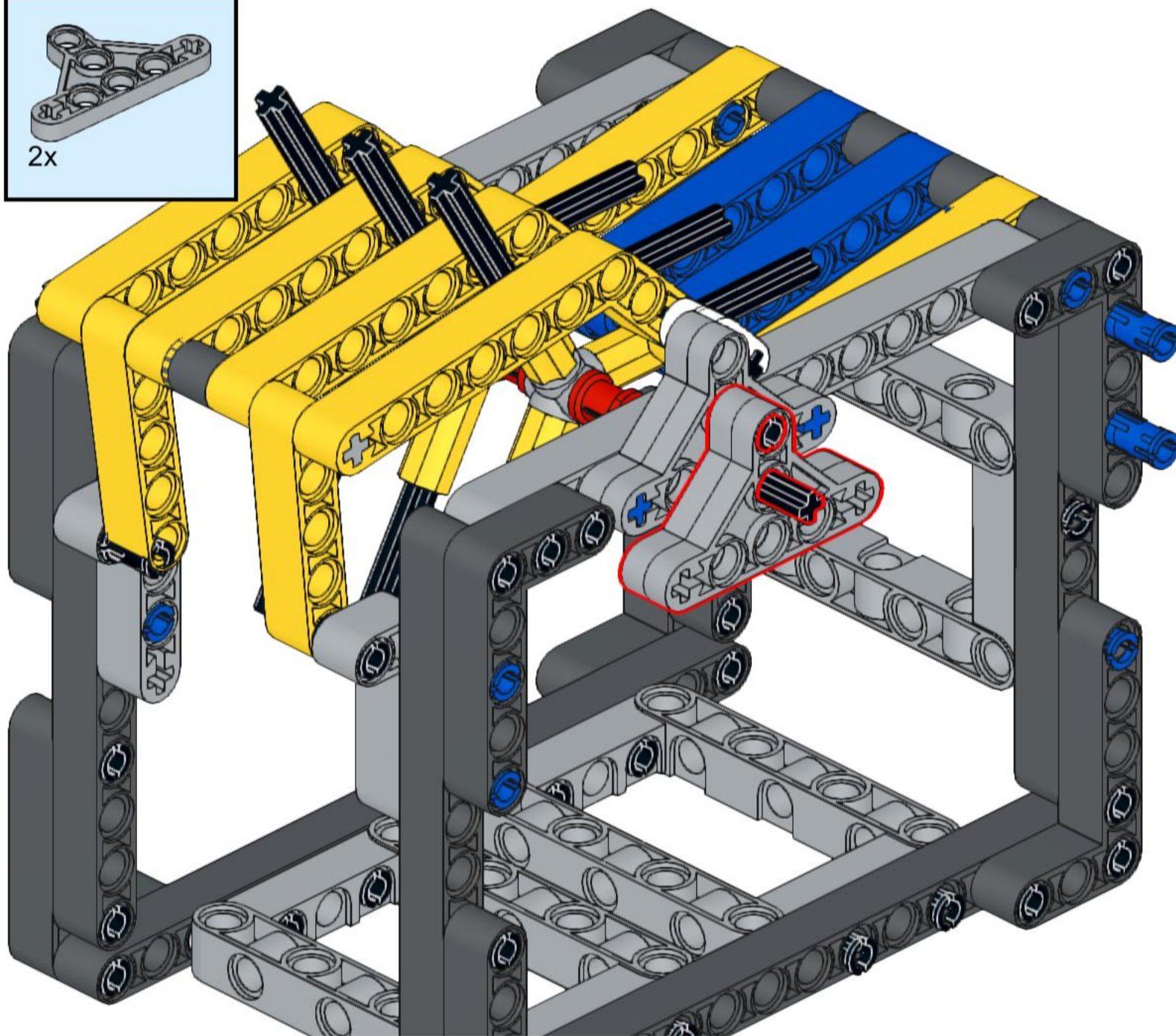
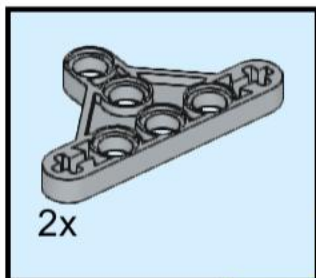
41



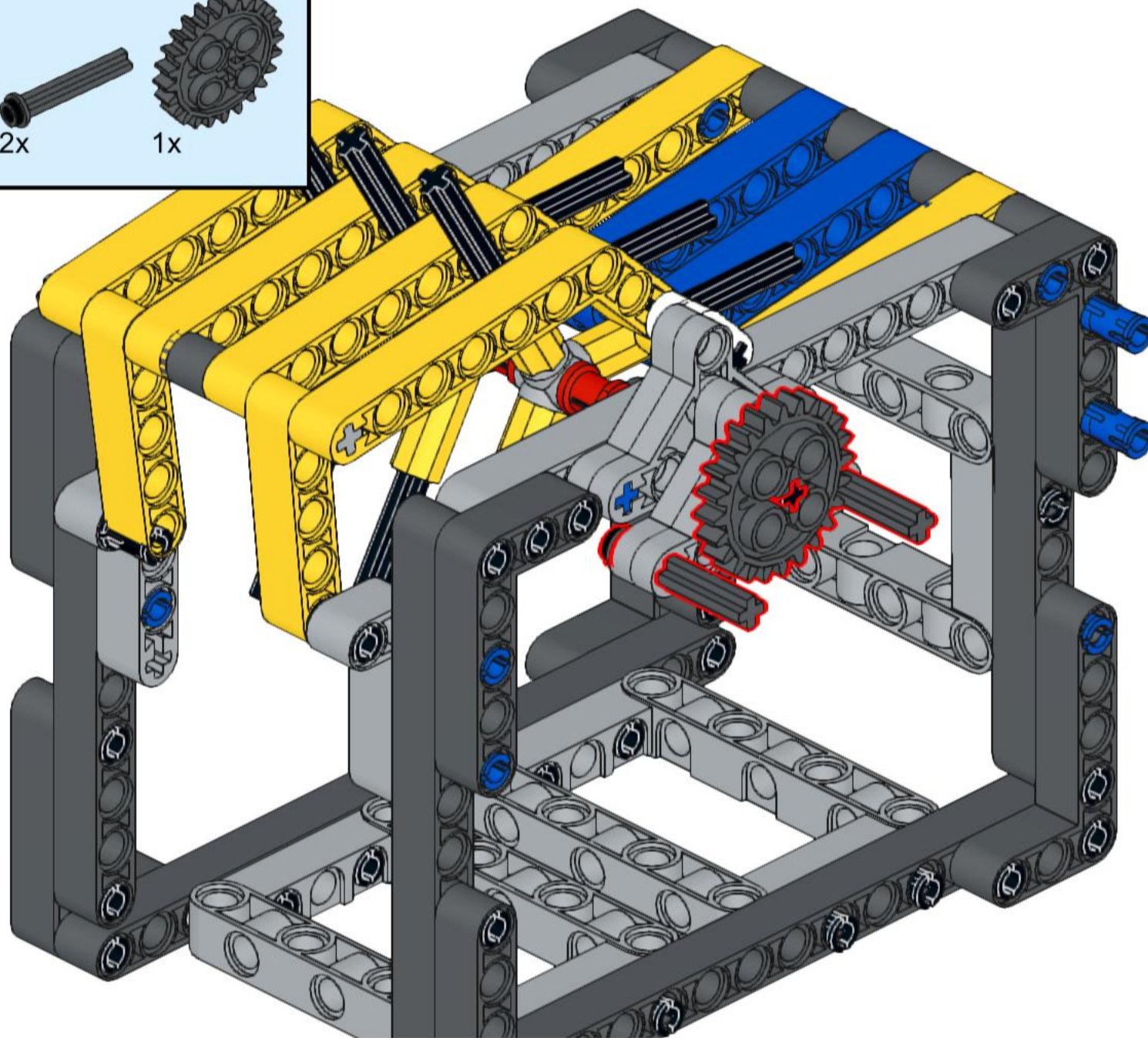
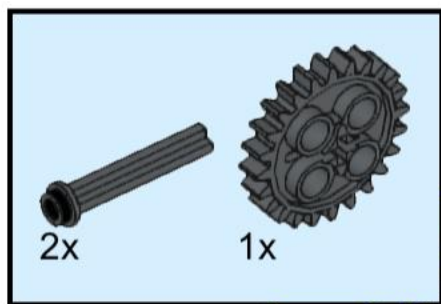
42



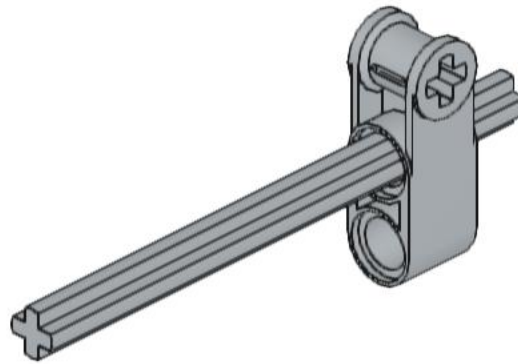
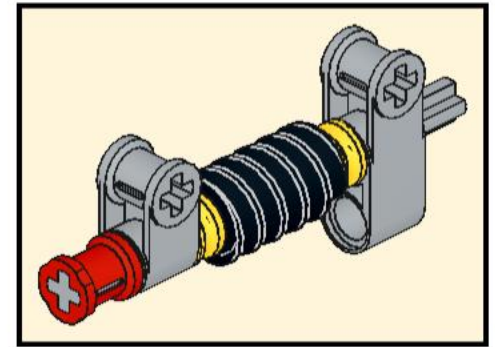
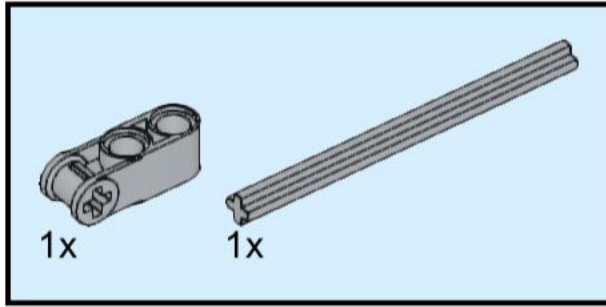
43



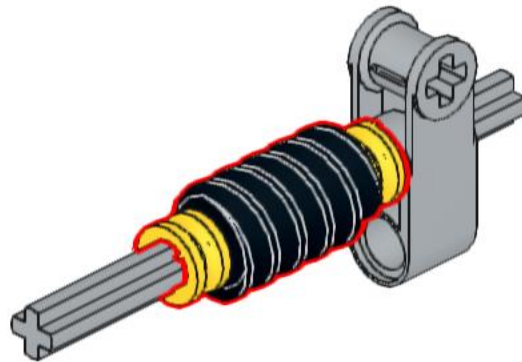
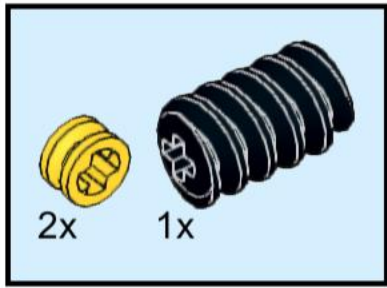
44



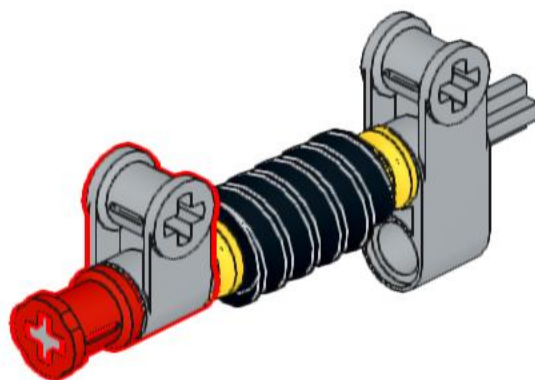
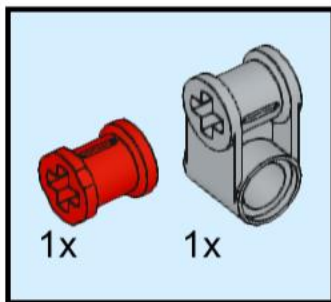
45



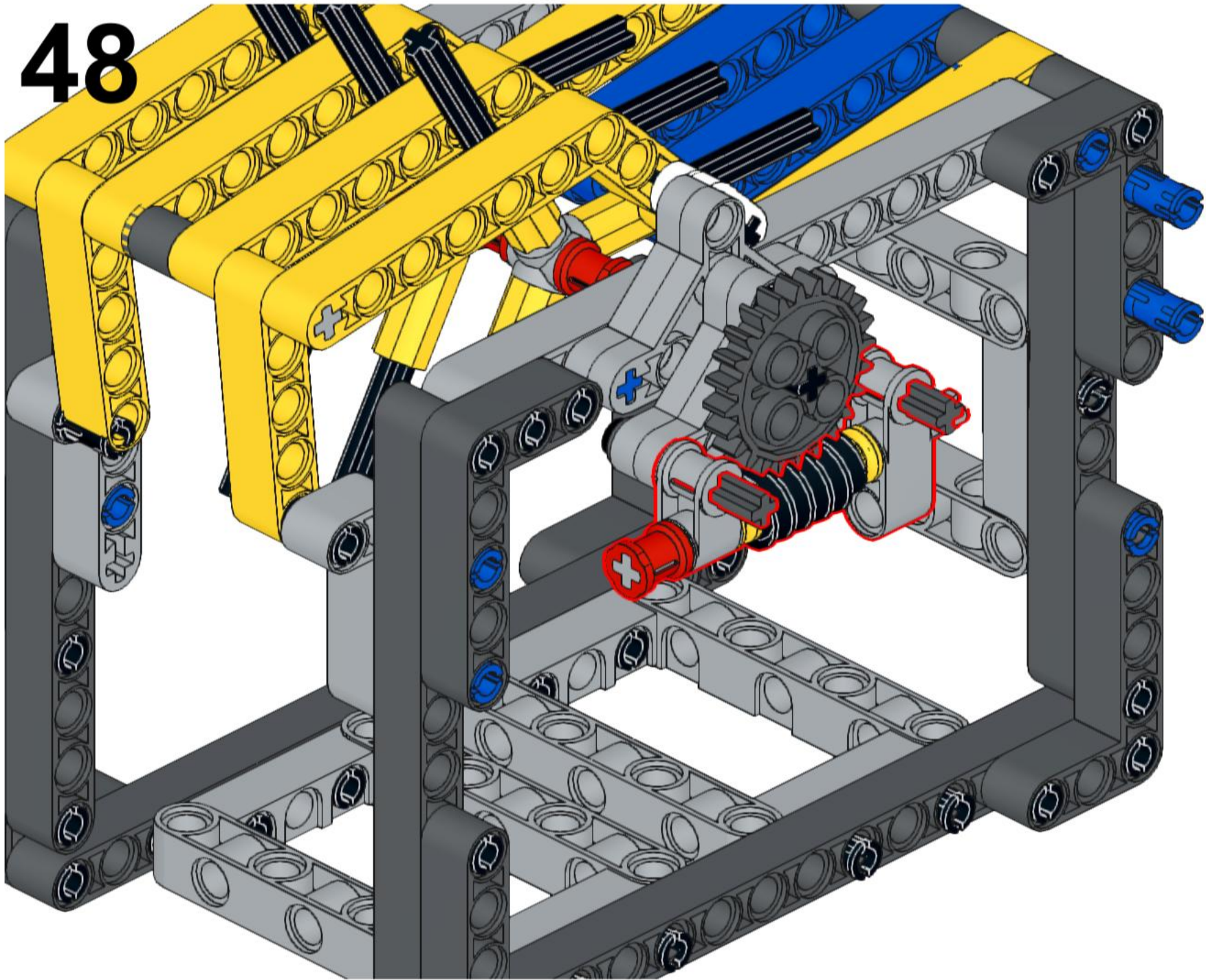
46



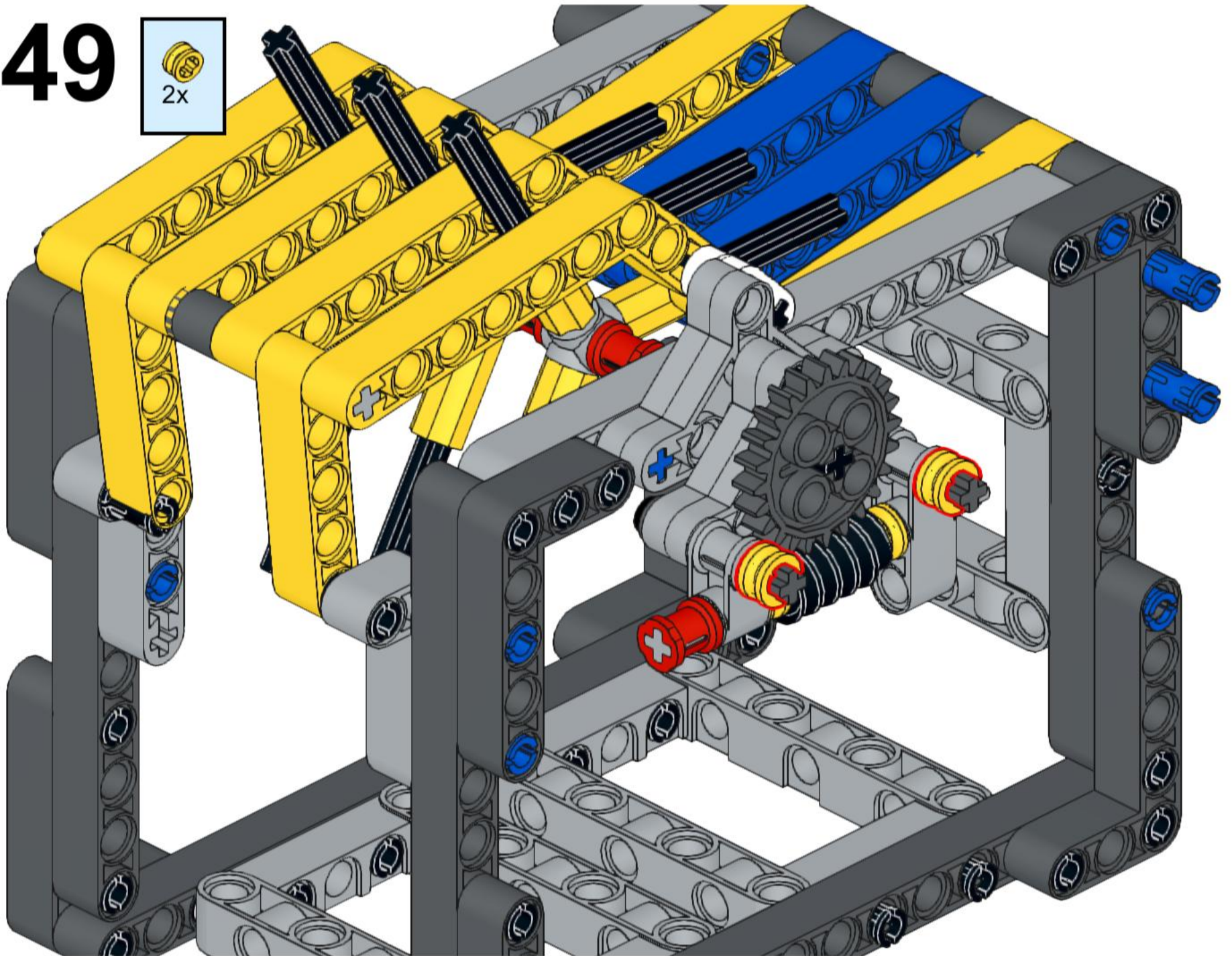
47



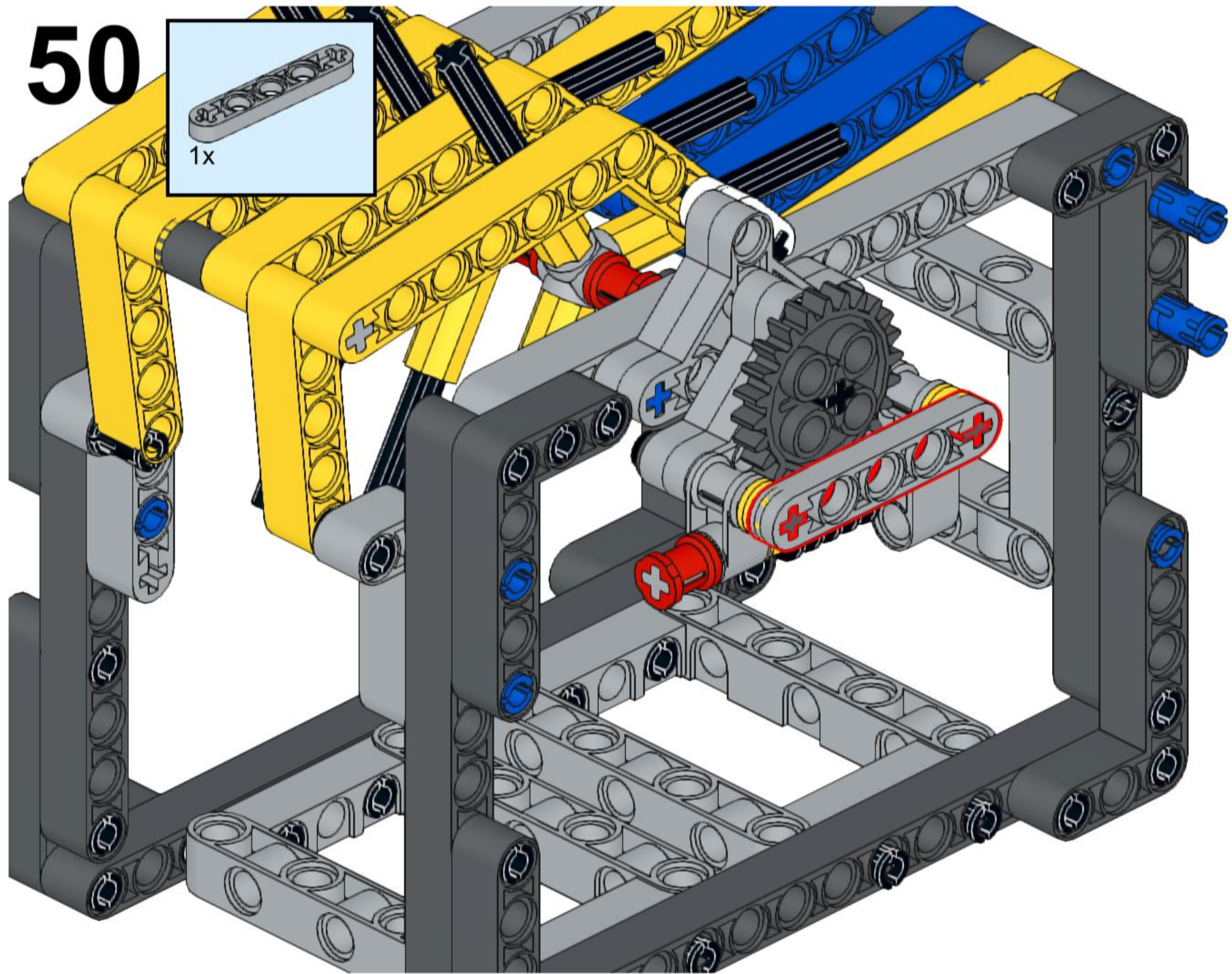
48



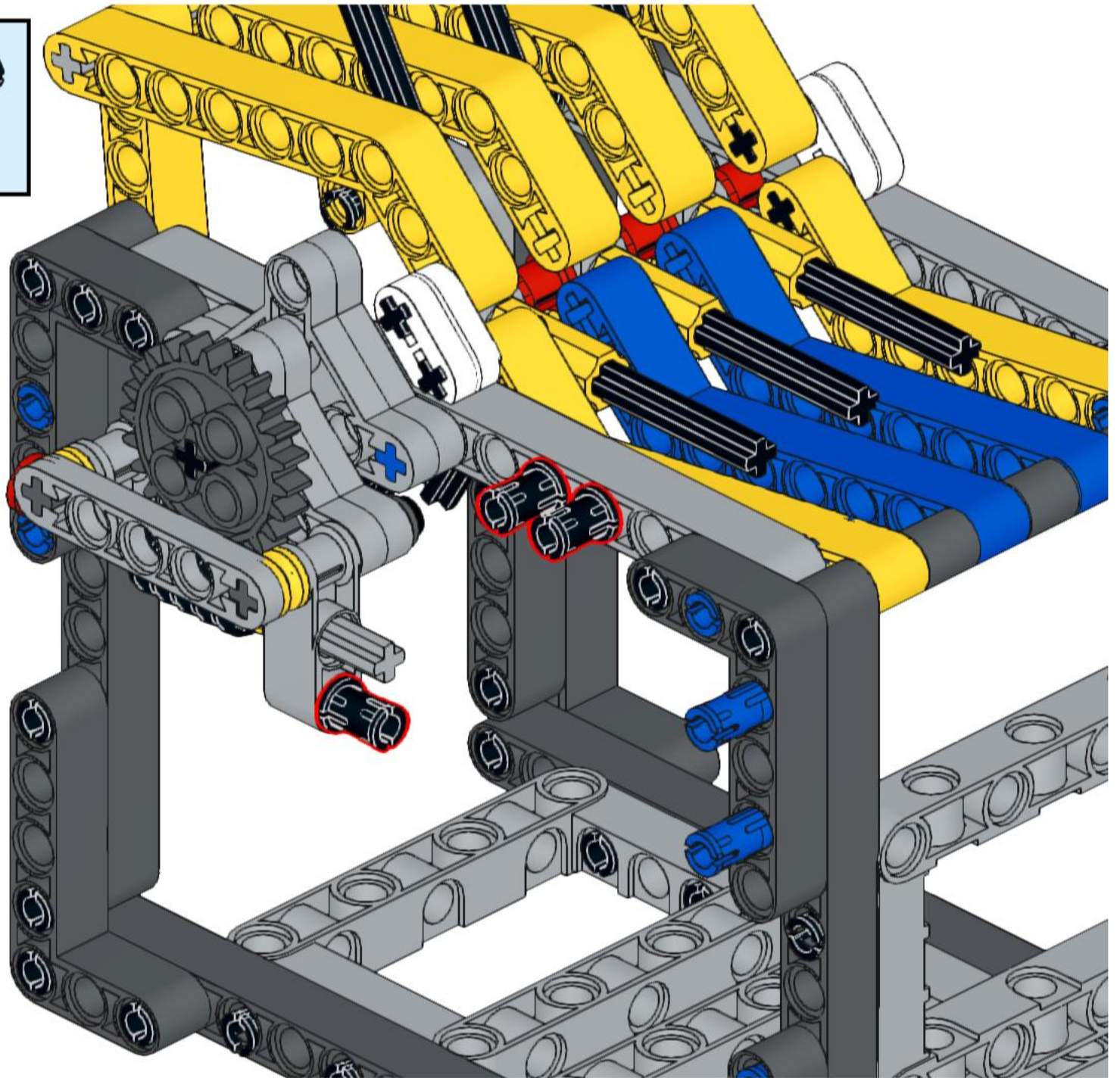
49



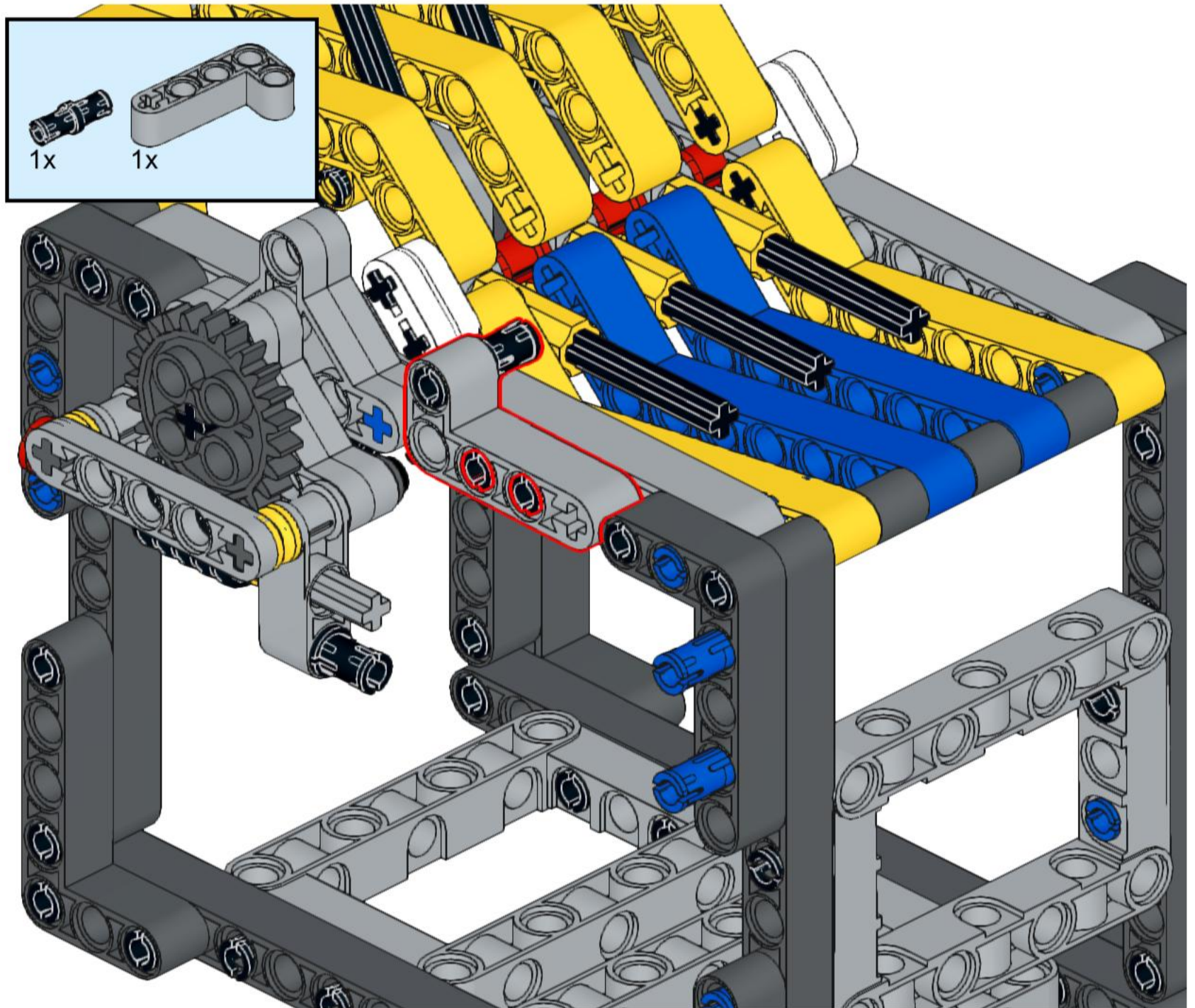
50



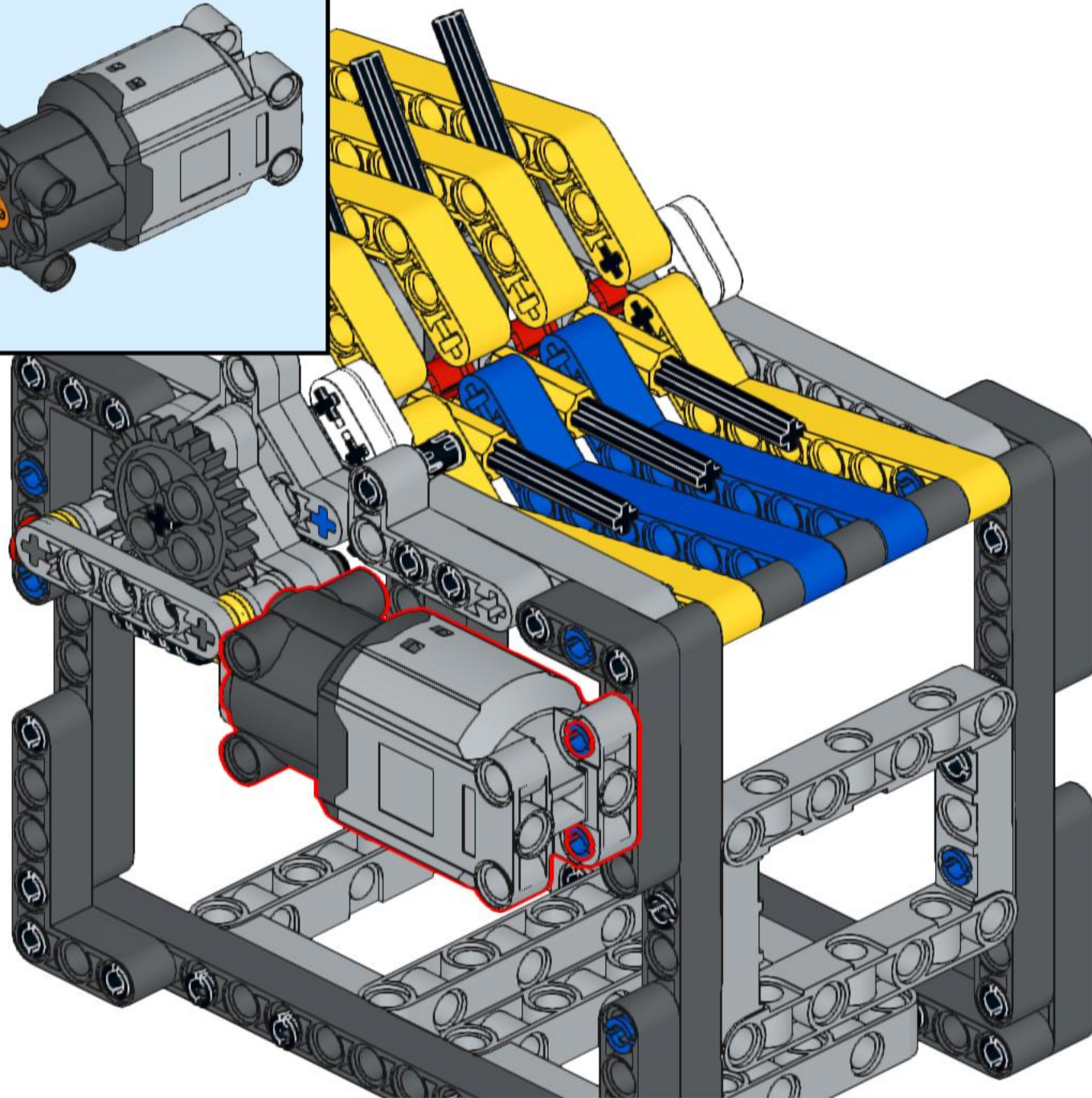
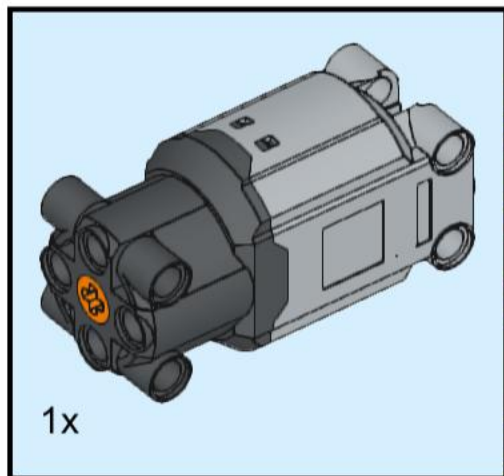
51



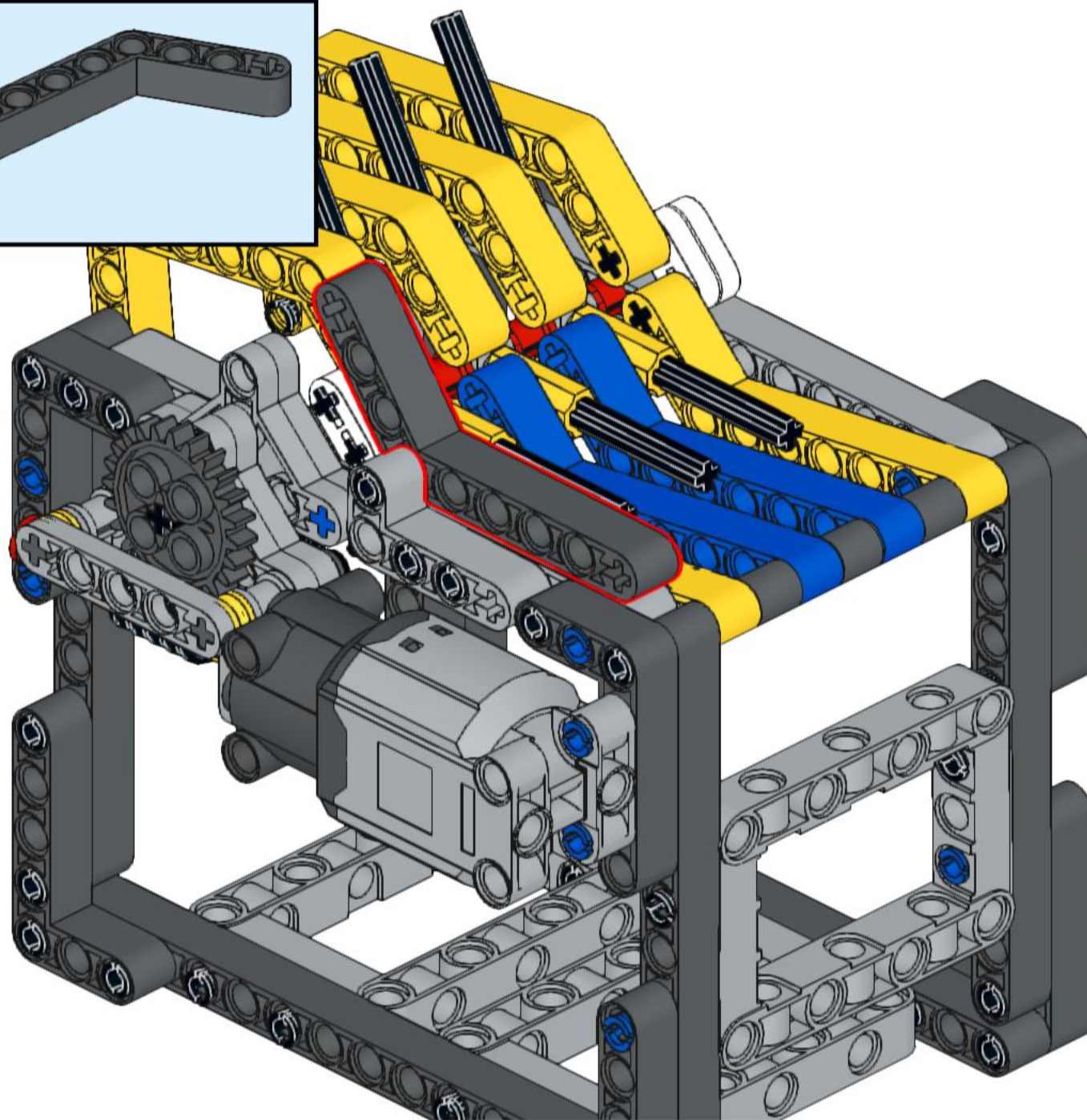
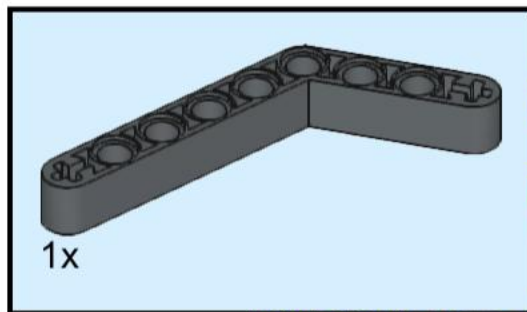
52



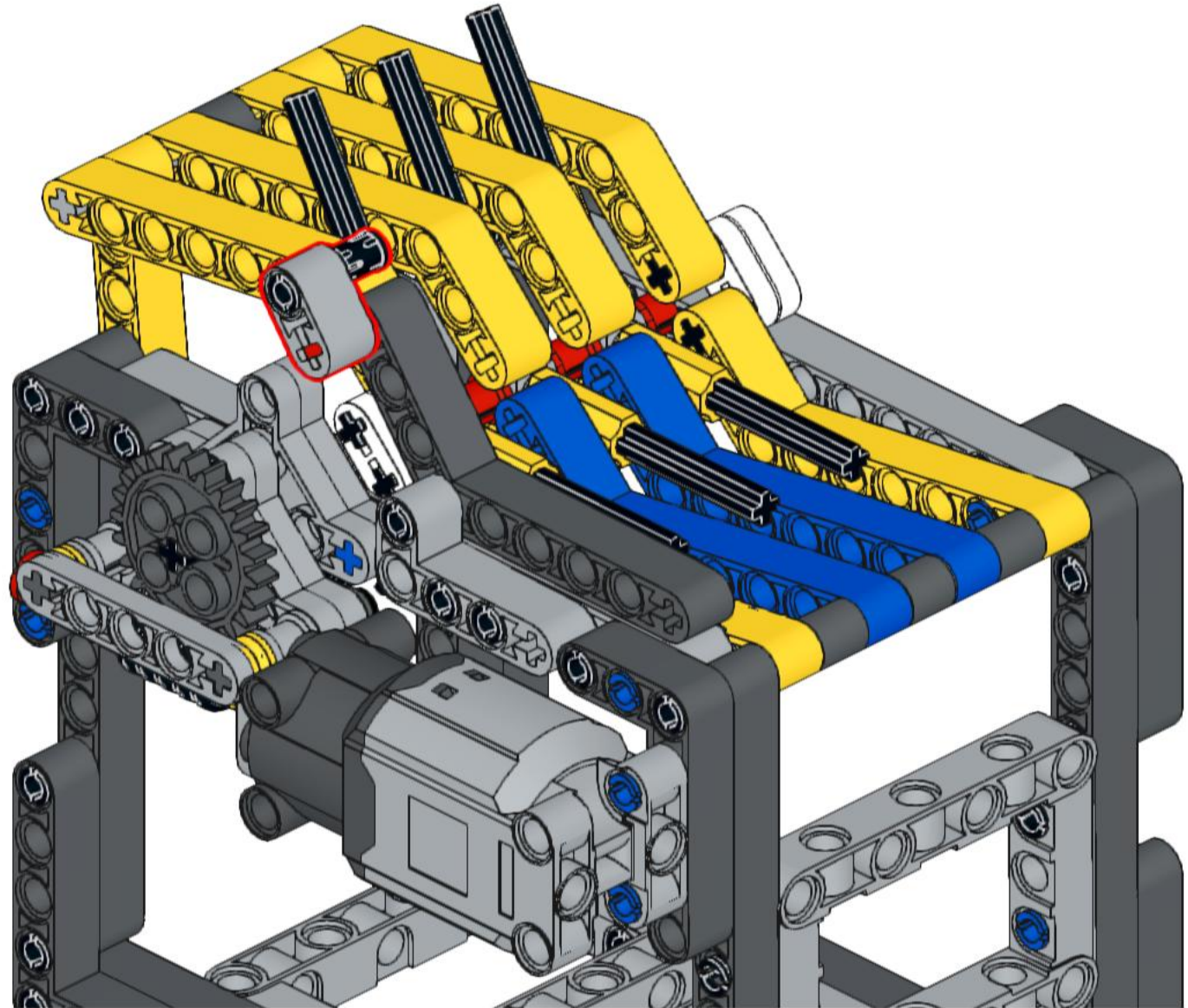
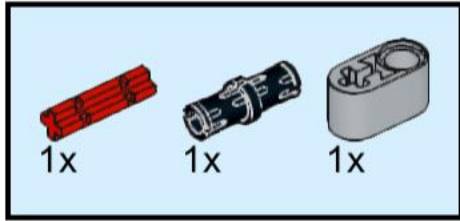
53



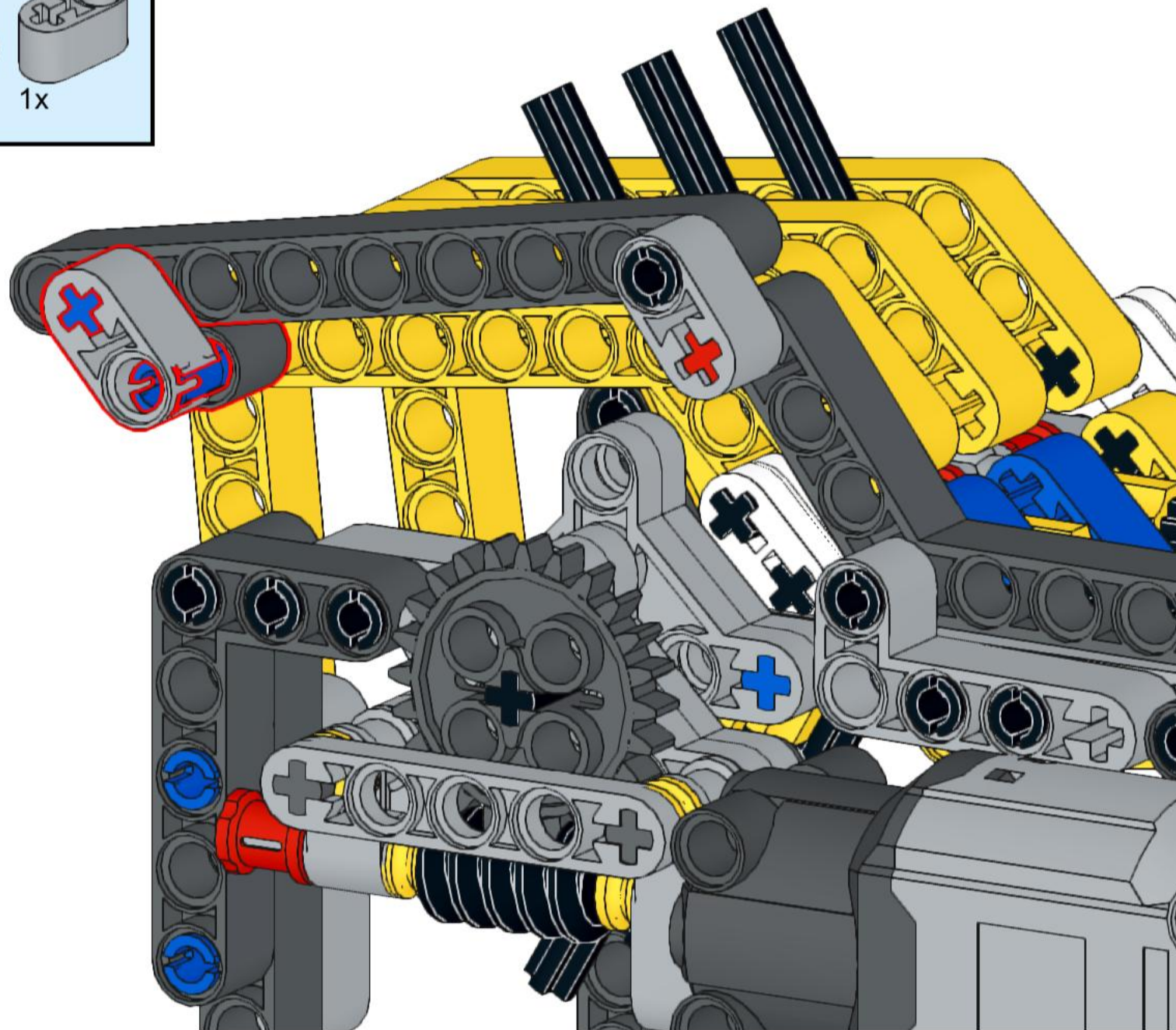
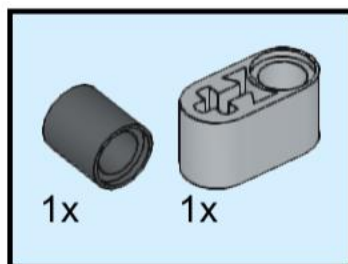
54



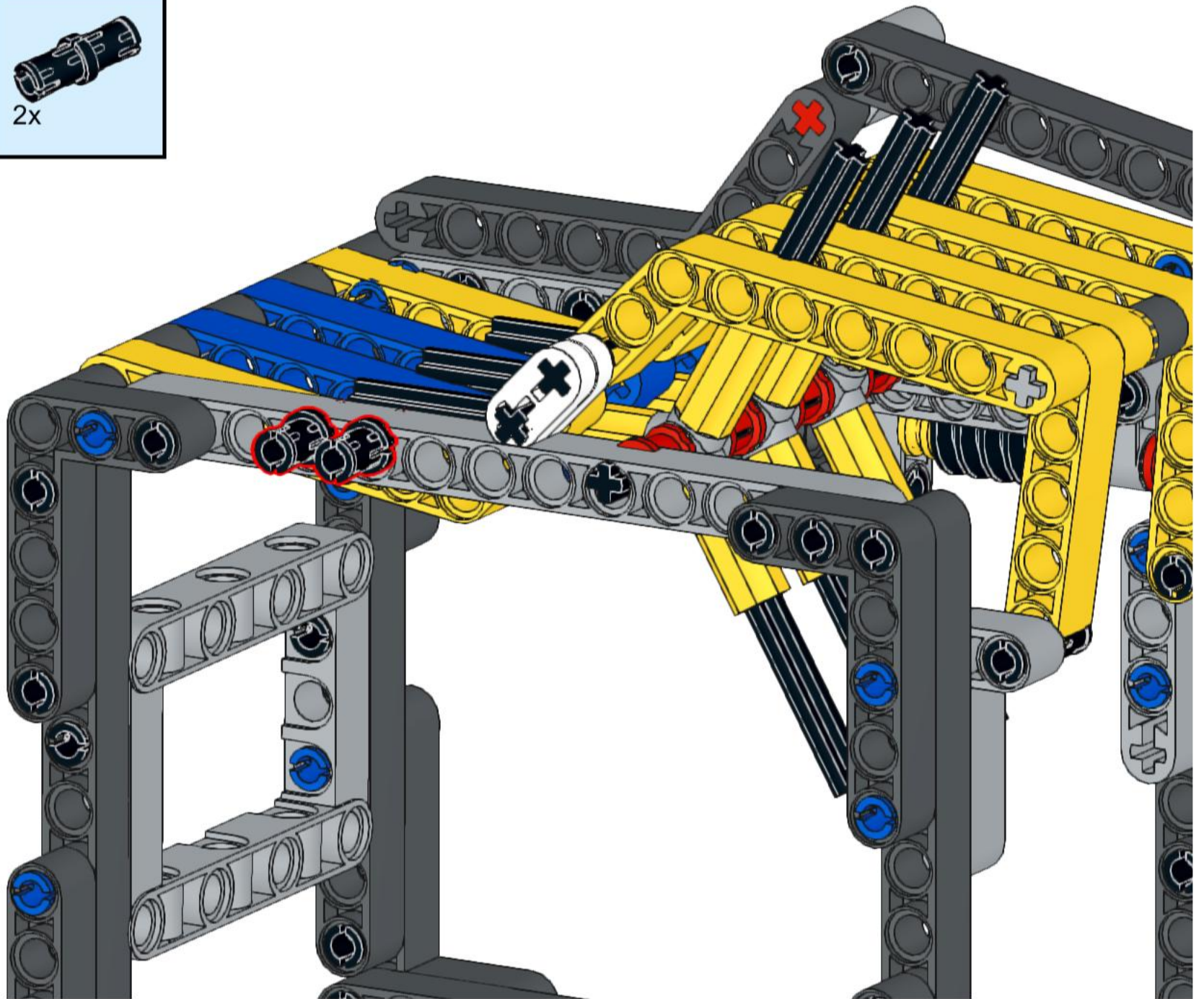
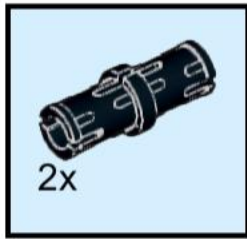
55



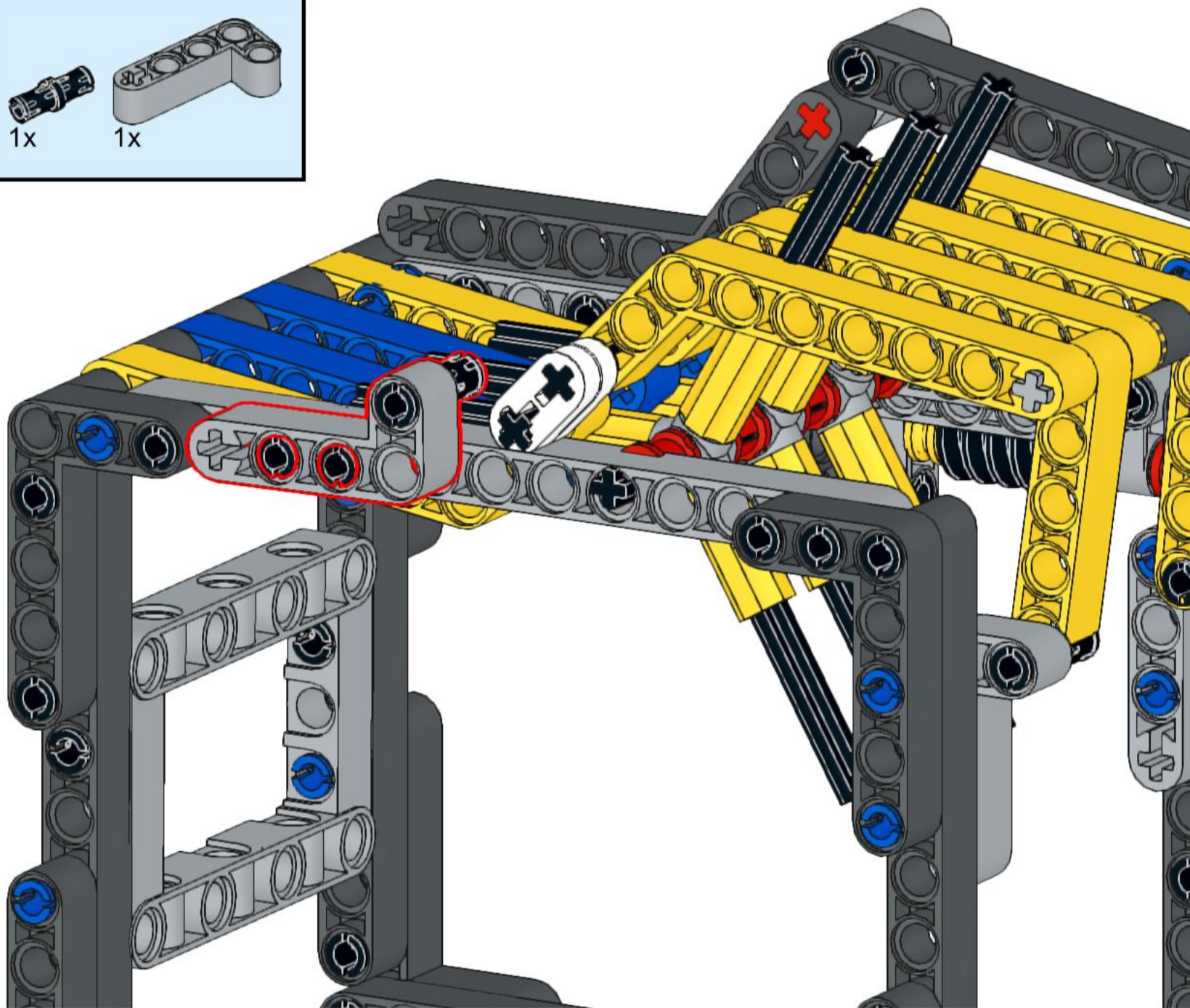
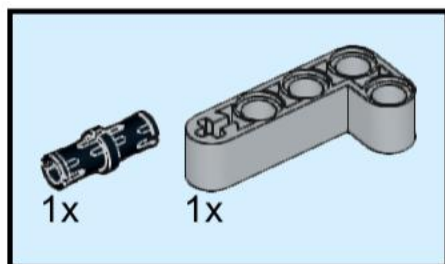
58



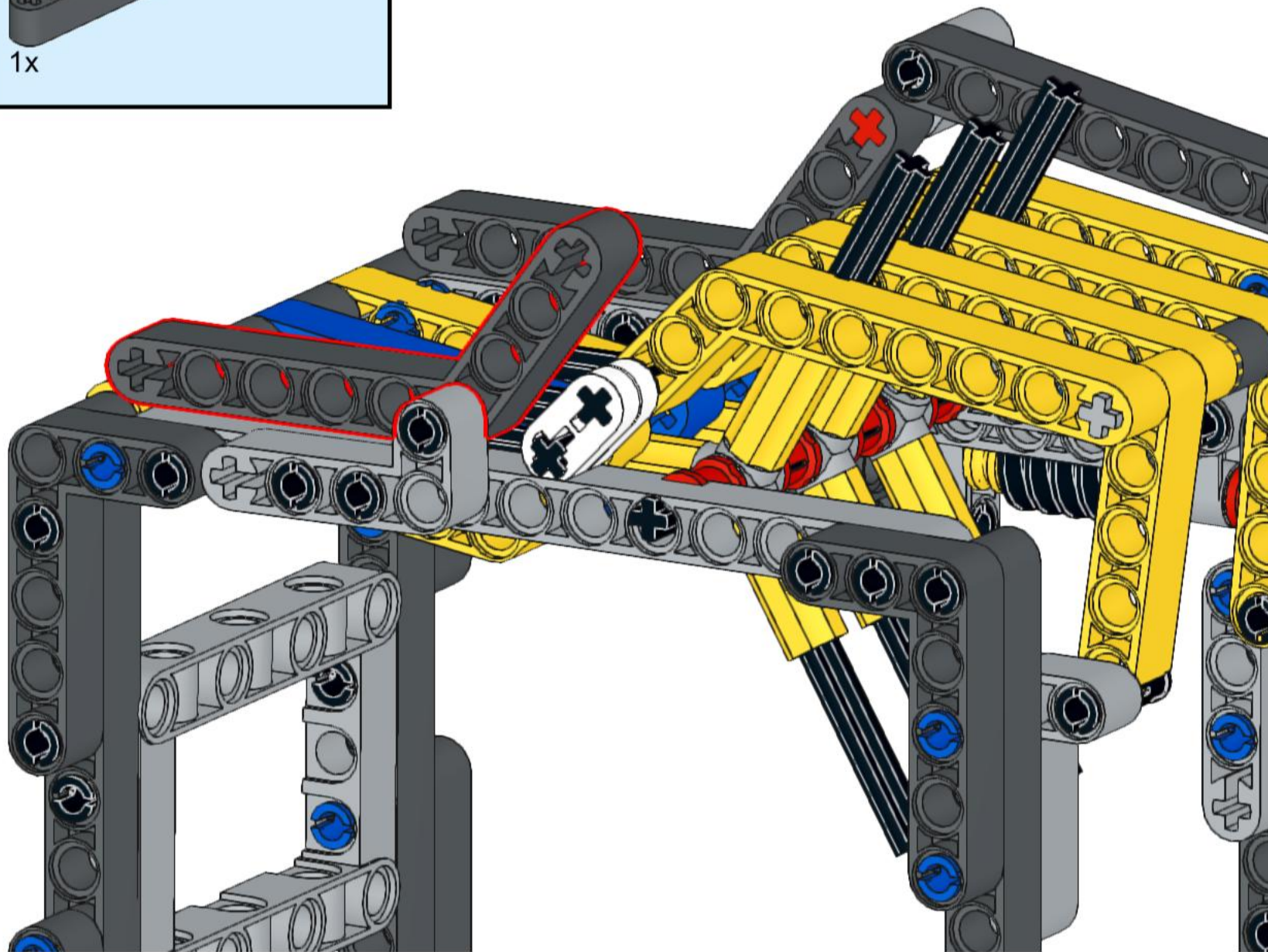
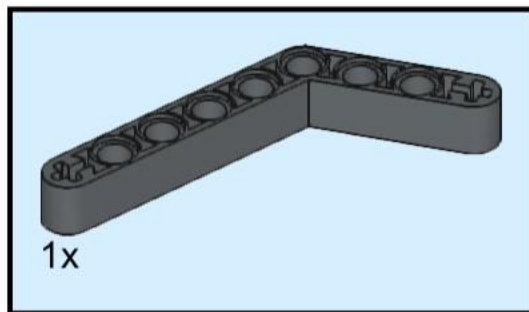
59



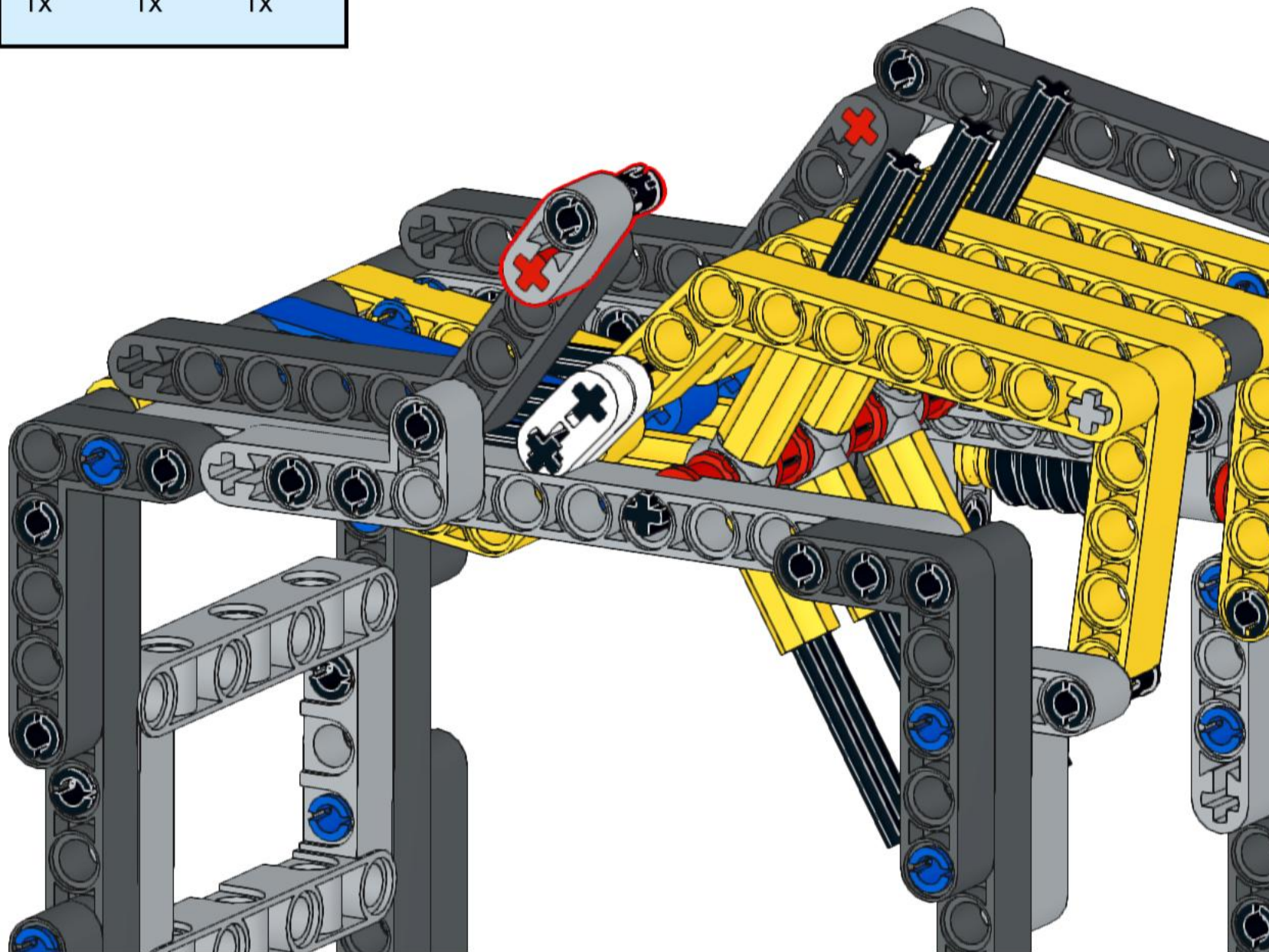
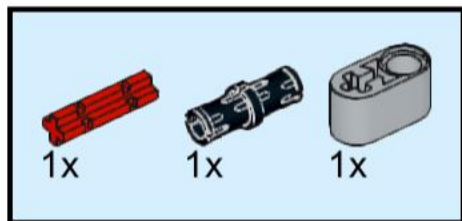
60



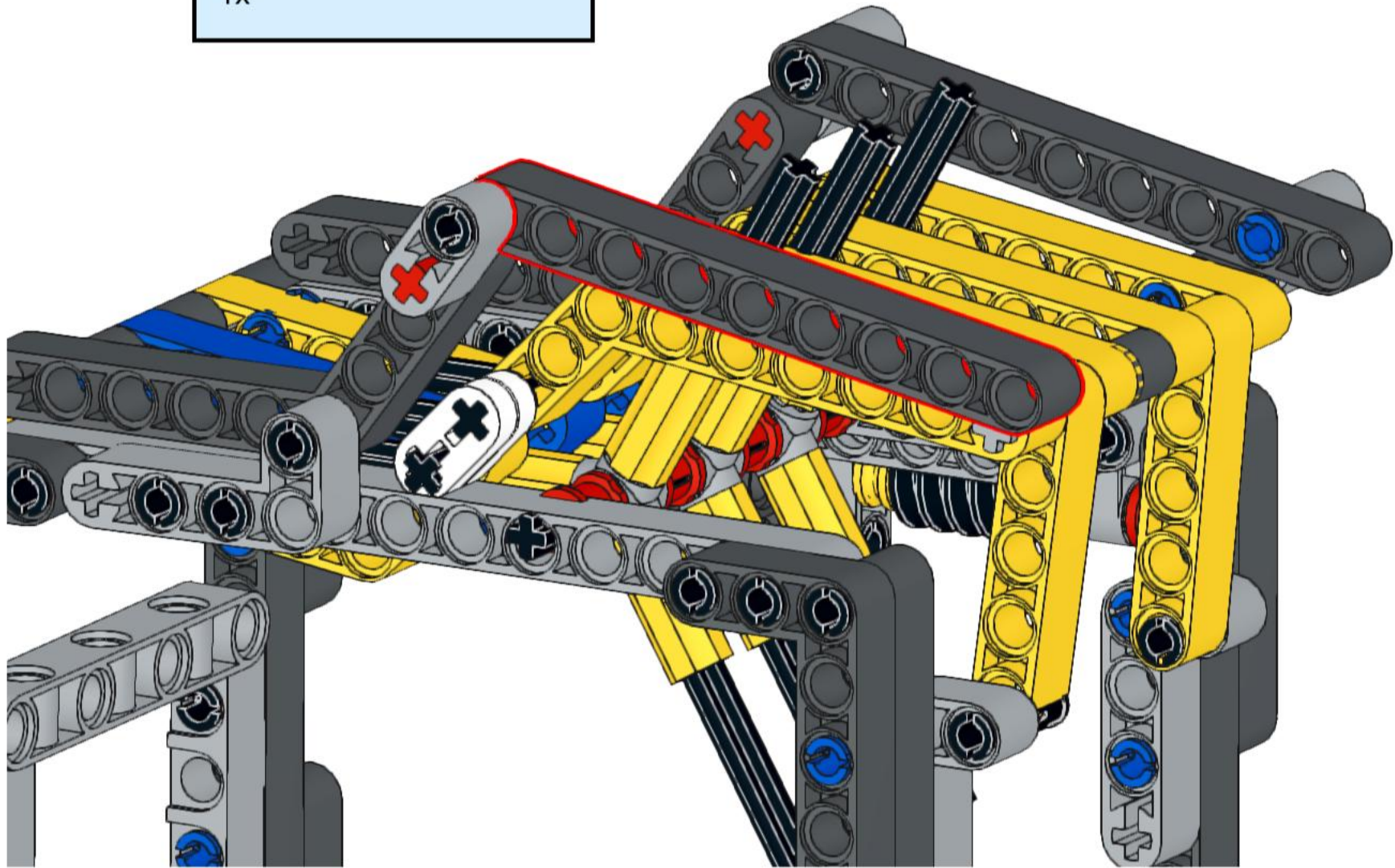
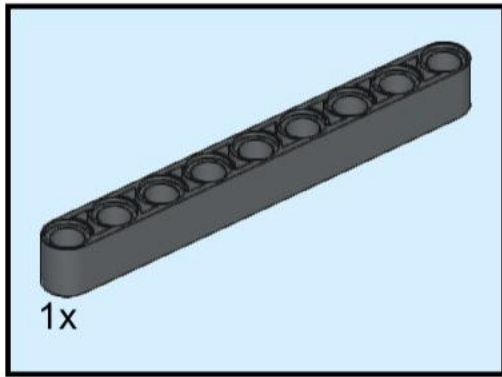
61



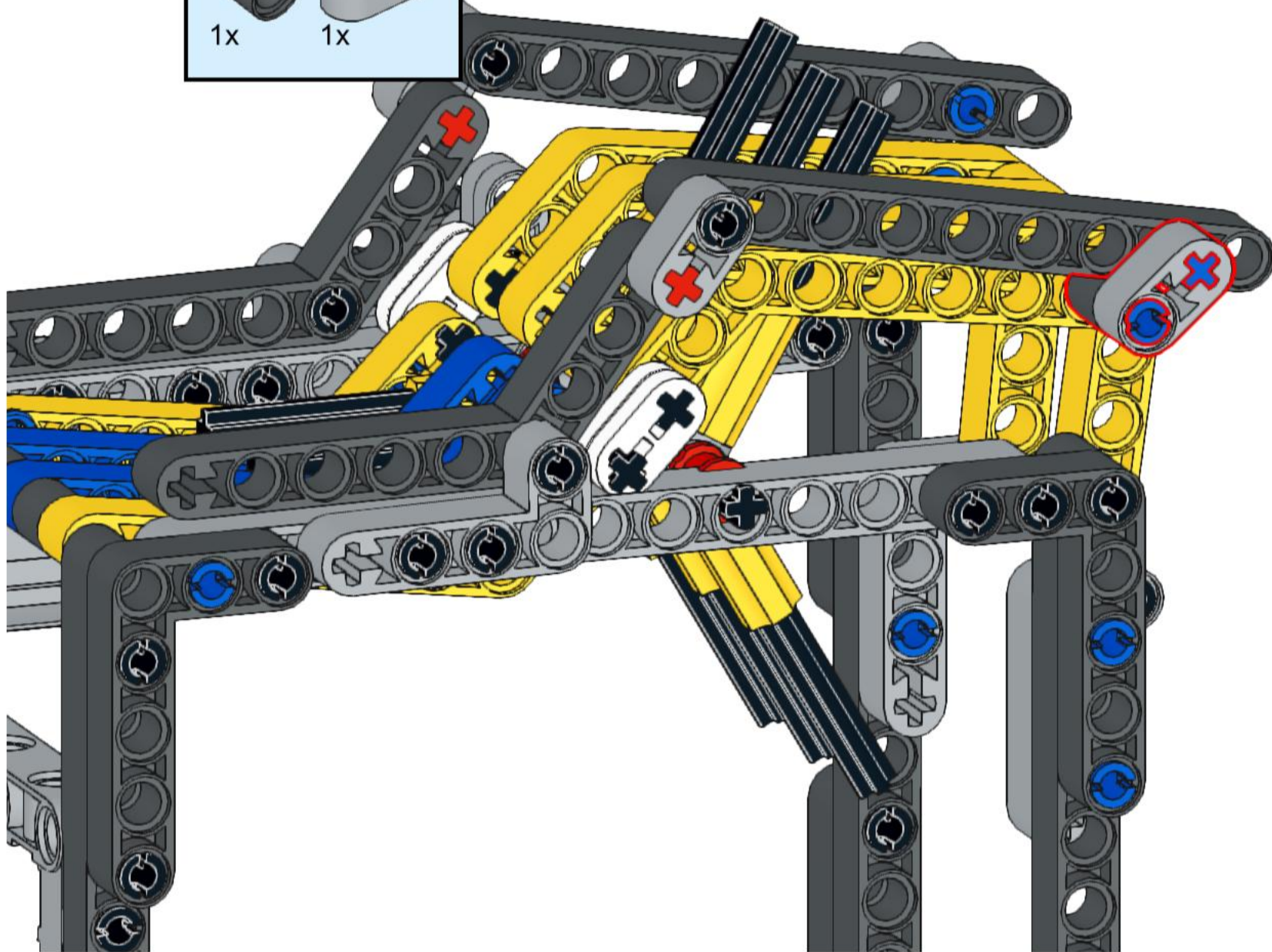
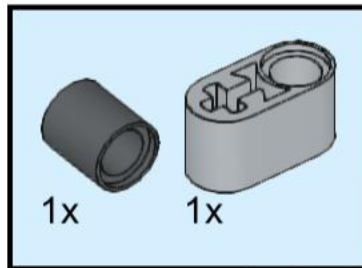
62



63



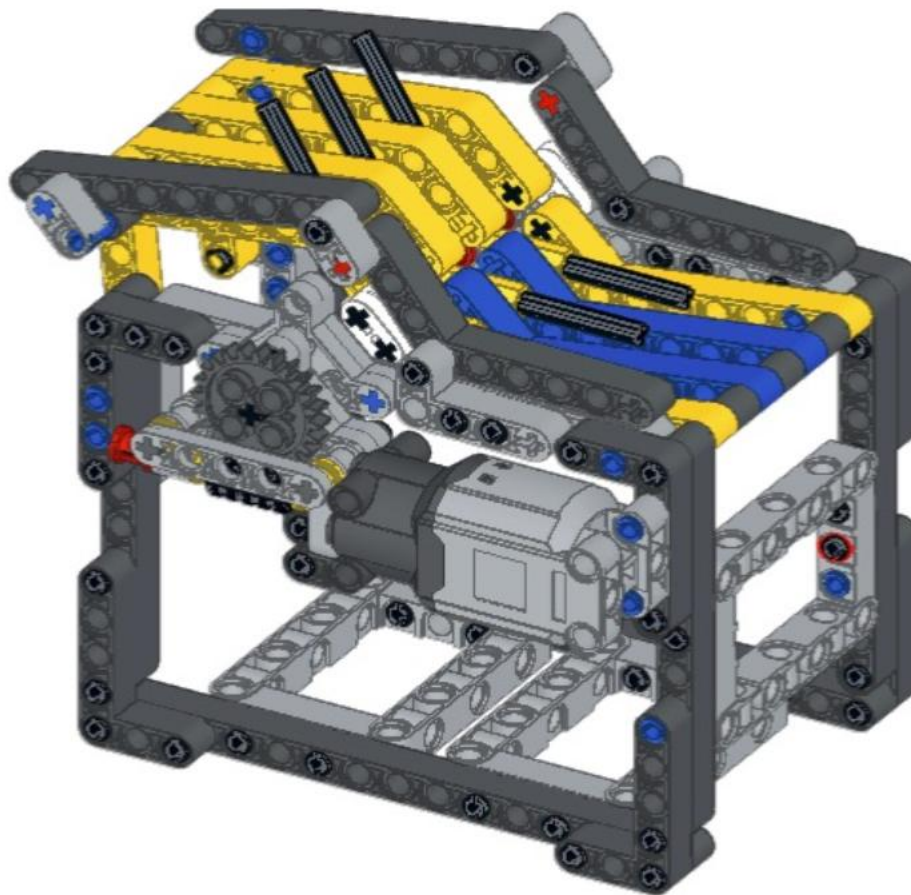
65





Your GBC Spike Wheel is now ready to use

INSTRUCTIONS BY DUNCAN BRIDGES





4x
32062, 11



47x
2780, 11



1x
4716, 11



9x
3705, 11




1x
3708, 11



6x
18654, 85



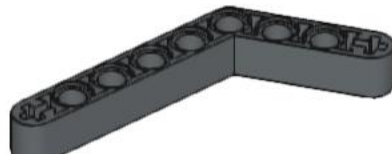
2x
6587, 85



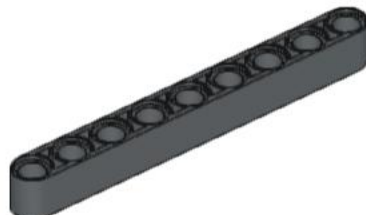
1x
3648, 85



8x
32526, 85




2x
6629, 85



2x
40490, 85



4x
32525, 85



2x
32278, 85



1x
6536, 86



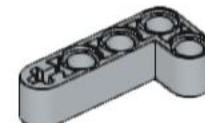
4x
60483, 86



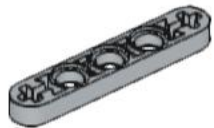
1x
42003, 86



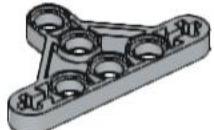
3x
57585, 86



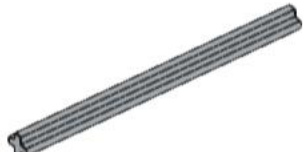
4x
32140, 86



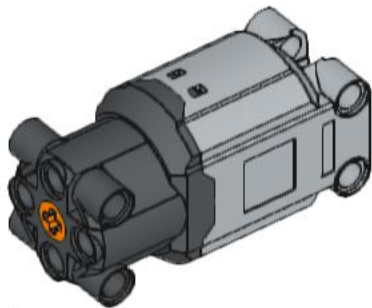
1x
11478, 86



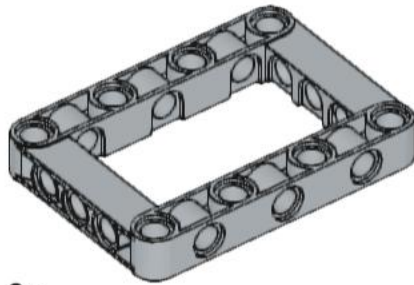
4x
99773, 86



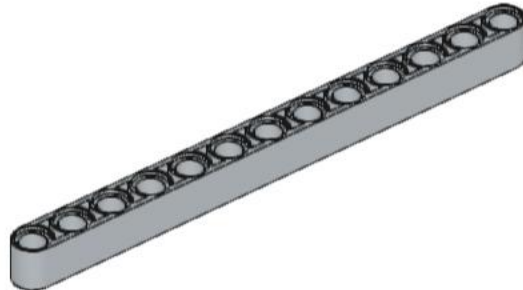
3x
44294, 86



1x
99499c01, 86



3x
64179, 86



2x
41239, 86



4x
41677, 1



5x
3713, 5



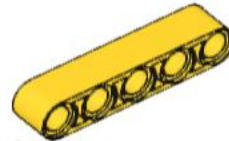
2x
32062, 5



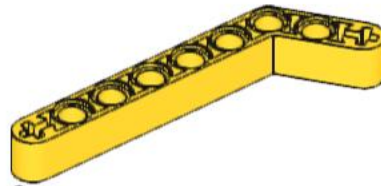
4x
4265c, 3



9x
6538c, 3



2x
32316, 3



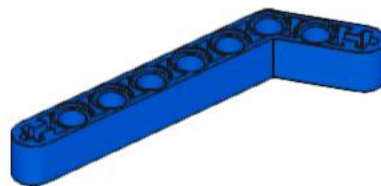
6x
32271, 3



4x
43093, 7



12x
6558, 7



2x
32271, 7